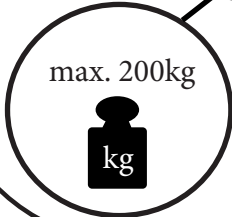
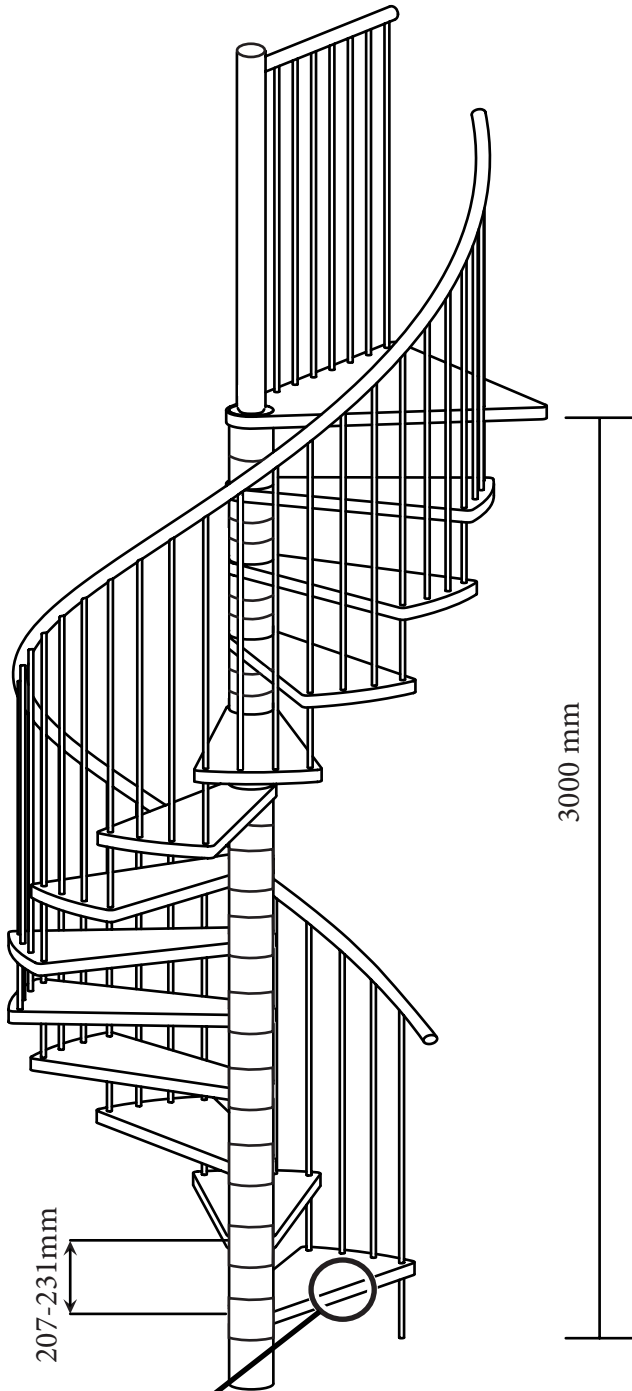
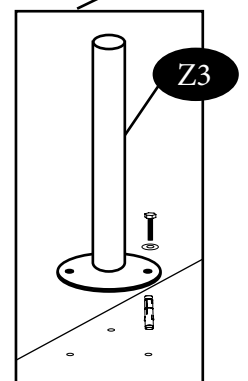
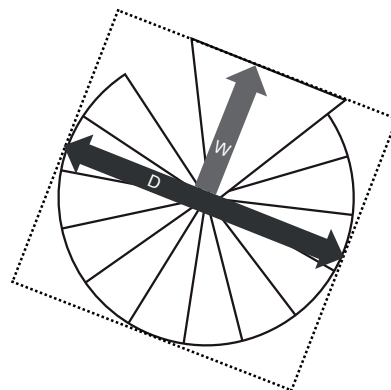
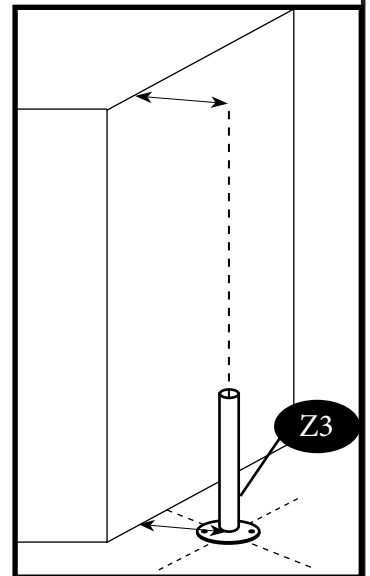
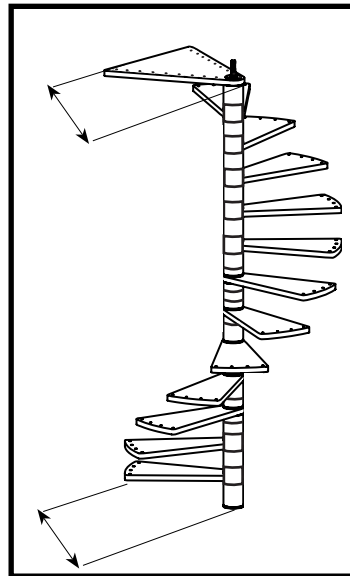
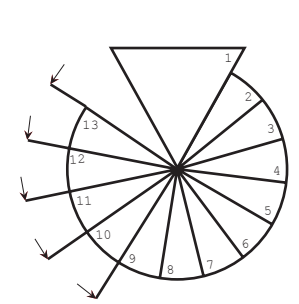
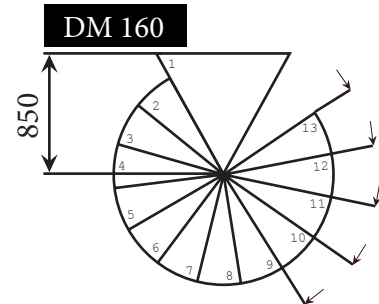
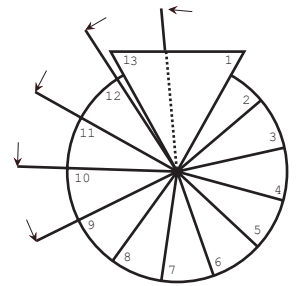
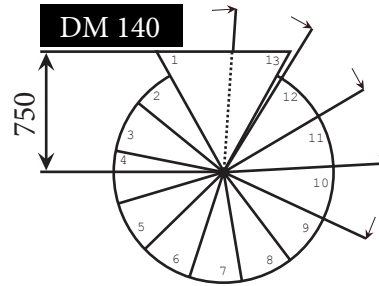
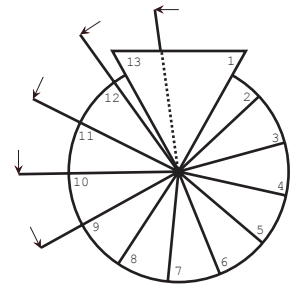
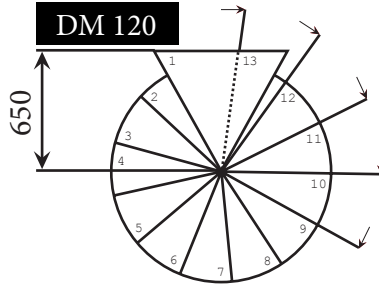


DM 160 | DM 140 | DM 120

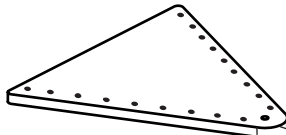
9	10	11	12	13	
1863	2070	2277	2484	2691	mm
-	-	-	-	-	
2079	2310	2541	2772	3003	mm
268°	297°	326°	356°	385°	
233°	258°	283°	308°	334°	
207°	229°	251°	273°	295°	



	W	D
120	600-650 mm	> 1200 mm
140	700-750 mm	> 1400 mm
160	800-850 mm	> 1600 mm




Z1



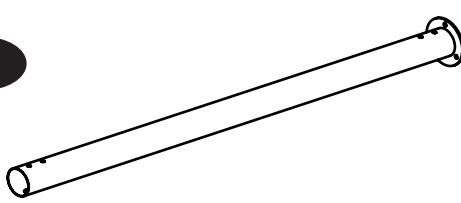
1x

Z2



12x

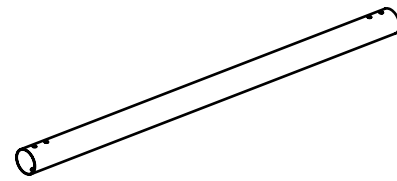
Z3



1x

Ø60,2x980mm


Z4



1x

Ø60,2x980mm

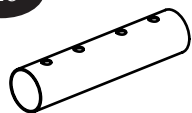
Z5



1x

Ø51x2,6x220mm

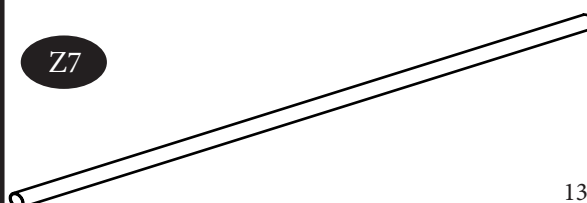
Z6



1x

Ø51x2,6x220mm

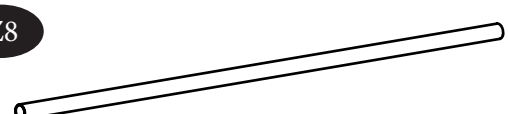
Z7



13x

Ø22x1x1185mm

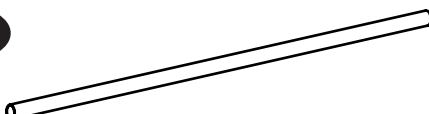
Z8



12x

Ø22x1x1105mm

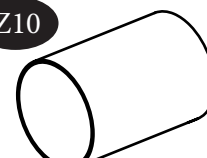
Z9



22x

Ø22x1x1030mm

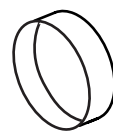
Z10



1x

Ø127x144,3mm

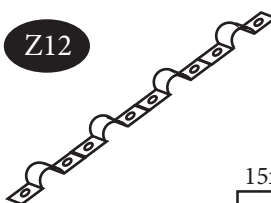
Z11



1x

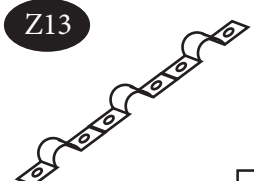
Ø127x38,4mm

Z12




15x

Z13



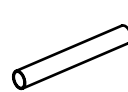
1x

Z14



1x

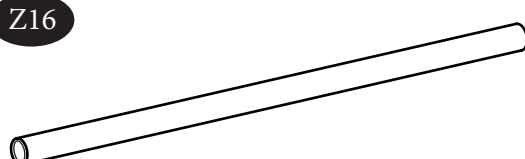
Z15



1x

Ø22x70mm


Z16



2x

Ø50x1x992mm


Z17



12x

Ø50x1x400mm

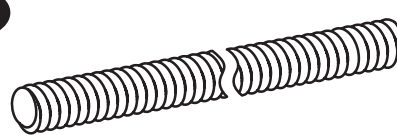
Z18



1x

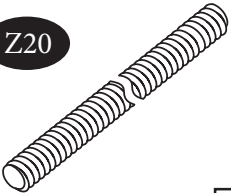

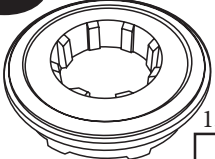
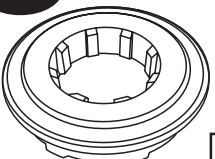
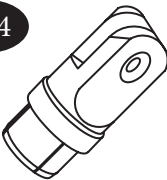
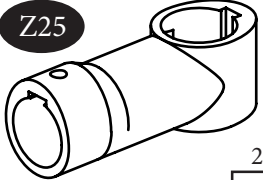
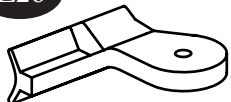



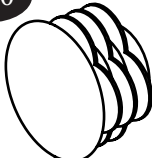
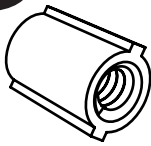
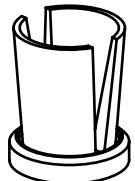
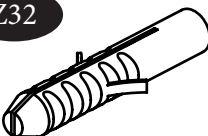
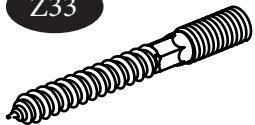
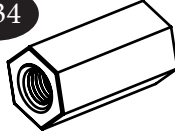
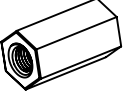
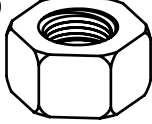
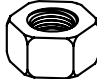




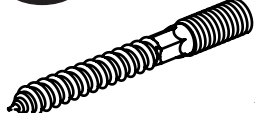
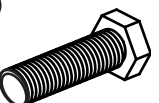
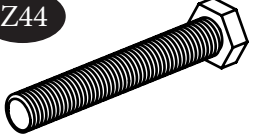
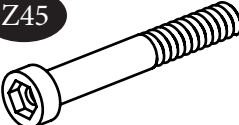

Ø100x3 d21mm


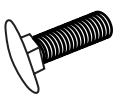
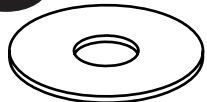




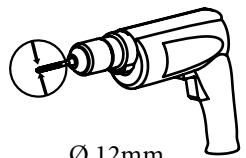
Z19

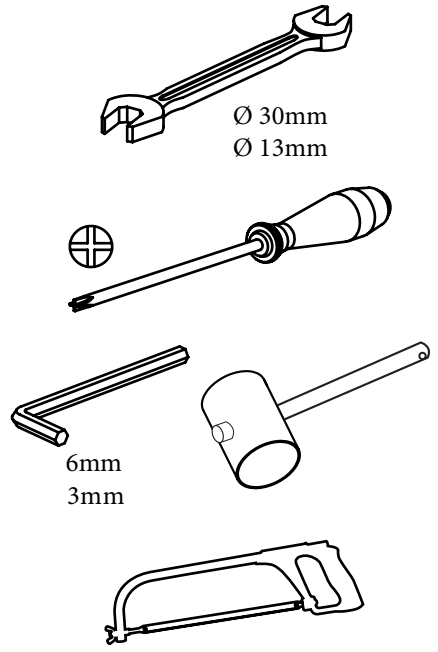
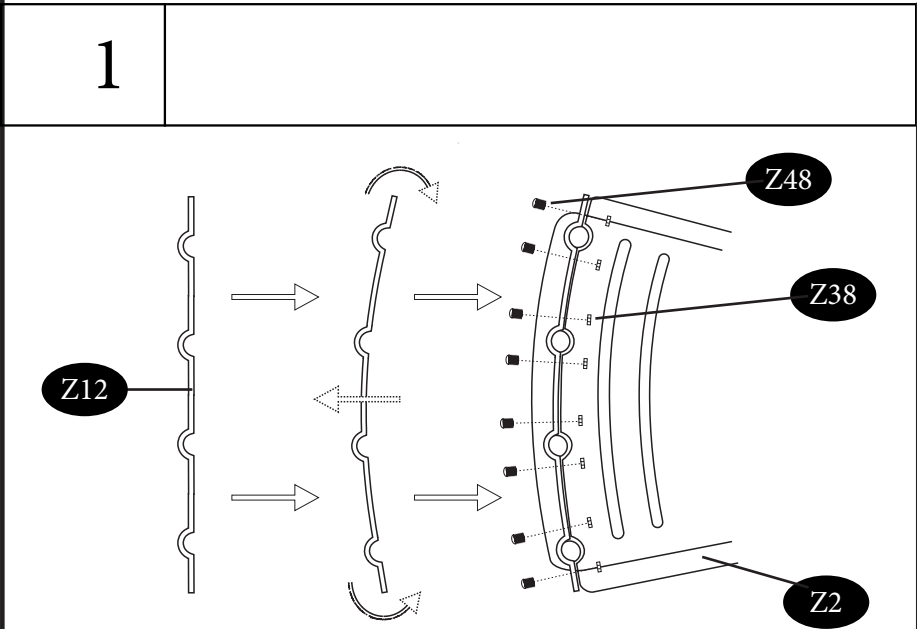


2x

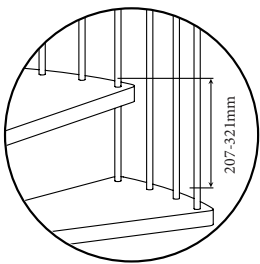
M20 x 1210 mm

<p>Z20</p>  <p>M8x1000mm</p> <p>6x</p>	<p>Z21</p>  <p>Ø127x3mm</p> <p>104x</p>	<p>Z22</p>  <p>13x</p>	<p>Z23</p>  <p>14x</p>
<p>Z24</p>  <p>46x</p>	<p>Z25</p>  <p>Ø127x3mm</p> <p>2x</p>	<p>Z26</p>  <p>46x</p>	<p>Z27</p>  <p>16x</p>
<p>Z28</p>  <p>M20</p> <p>1x</p>	<p>Z29</p>  <p>Ø22mm</p> <p>47x</p>	<p>Z30</p>  <p>Ø35mm</p> <p>5x</p>	<p>Z31</p>  <p>M10</p> <p>1x</p>
<p>Z31a</p>  <p>1x</p>	<p>Z32</p>  <p>Ø12mm</p> <p>2x</p>	<p>Z33</p>  <p>M10x100mm</p> <p>1x</p>	<p>Z34</p>  <p>M20 DIN6334</p> <p>1x</p>
<p>Z35</p>  <p>M8 DIN6334</p> <p>5x</p>	<p>Z36</p>  <p>M20 DIN934</p> <p>1x</p>	<p>Z37</p>  <p>M8 DIN934</p> <p>10x</p>	<p>Z38</p>  <p>M6 DIN934</p> <p>118x</p>
<p>Z39</p>  <p>M5 DIN934</p> <p>46x</p>	<p>Z40</p>  <p>M6 DIN562</p> <p>4x</p>	<p>Z41</p>  <p>M8x55mm</p> <p>8x</p>	<p>Z42</p>  <p>M8x80mm</p> <p>1x</p>
<p>Z43</p>  <p>M8x16mm DIN933</p> <p>1x</p>	<p>Z44</p>  <p>M8x70mm DIN933</p> <p>8x</p>	<p>Z45</p>  <p>M8x55mm DIN6912</p> <p>6x</p>	<p>Z46</p>  <p>M5x20mm DIN7991</p> <p>46x</p>

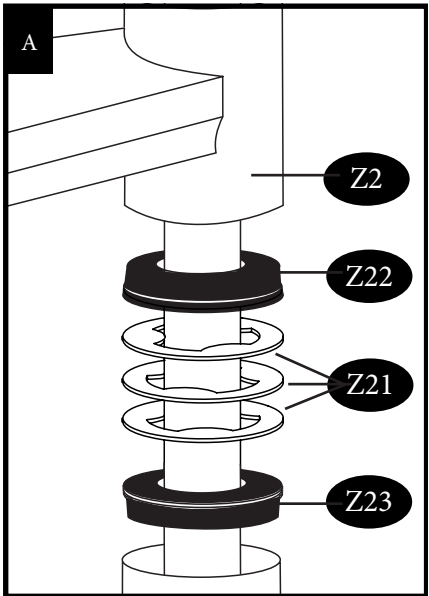
<p>Z47</p>  <p>4x</p> <p>M6x6mm DIN914</p>	<p>Z48</p>  <p>118x</p> <p>M6x16mm DIN603</p>	<p>Z49</p>  <p>10x</p> <p>Ø30mm M10 DIN9021A</p>	<p>Z50</p>  <p>8x</p> <p>Ø16mm M8 DIN125A</p>
<p>Z51</p>  <p>46x</p> <p>Ø4x25mm</p>	<p>Z52</p>  <p>92x</p> <p>Ø3,9x16mm</p>	<p>Z53</p>  <p>5x</p>	 <p>Ø 12mm Ø 8mm Ø 1,5mm</p>



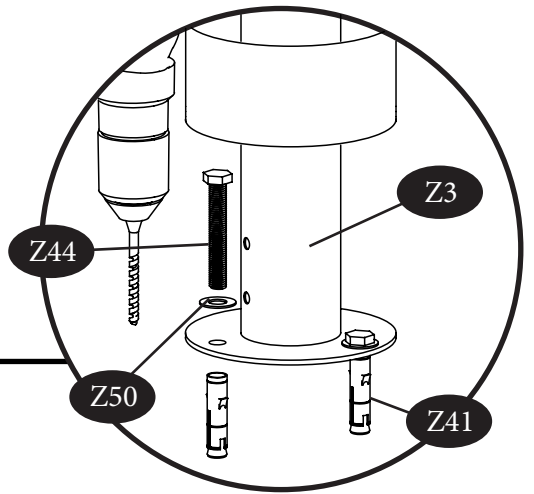
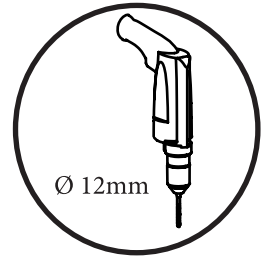
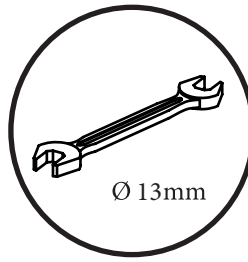
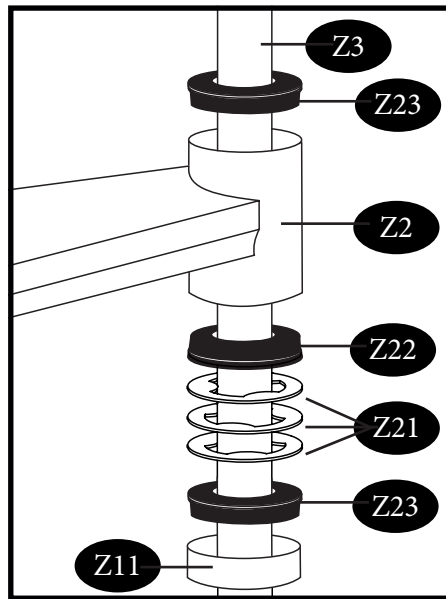
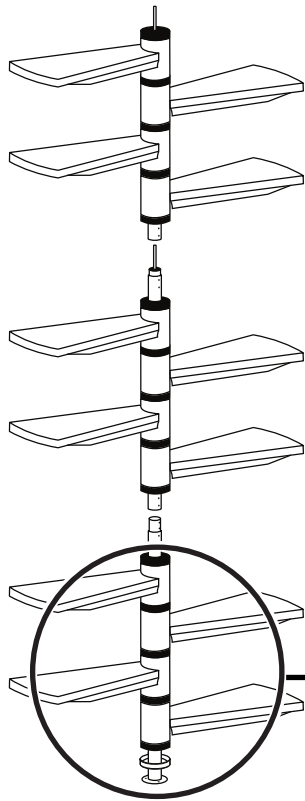
2



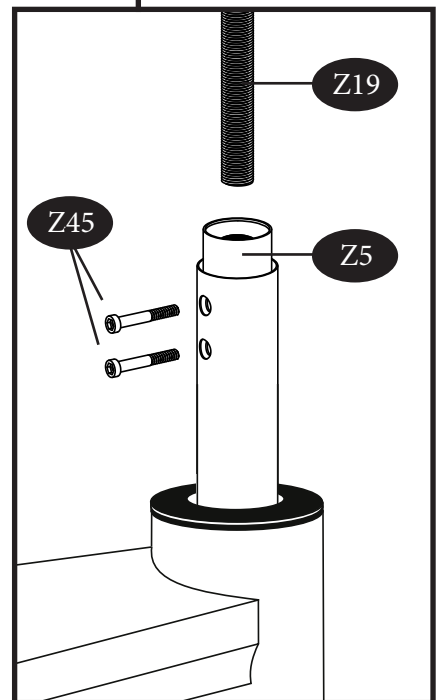
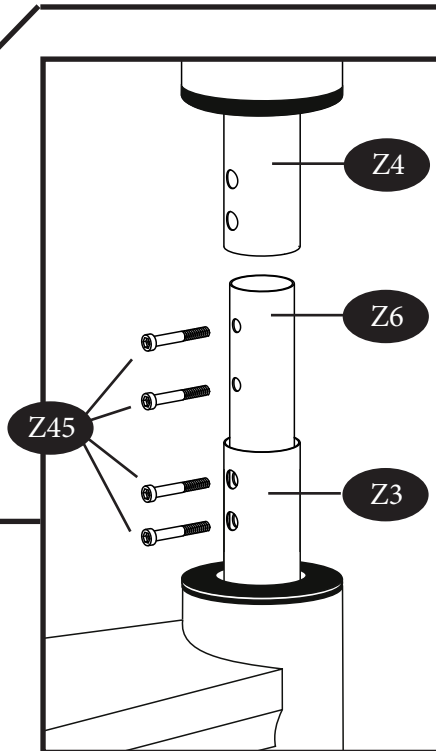
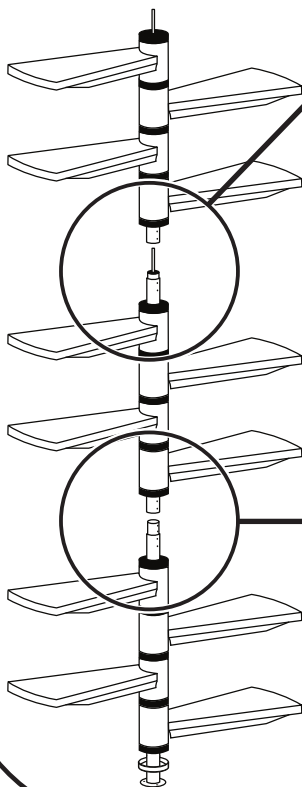
A	
0 x Z21	= 207 mm
1 x Z21	= 210 mm
2 x Z21	= 213 mm
3 x Z21	= 216 mm
4 x Z21	= 219 mm
5 x Z21	= 222 mm
6 x Z21	= 225 mm
7 x Z21	= 228 mm
8 x Z21	= 231 mm



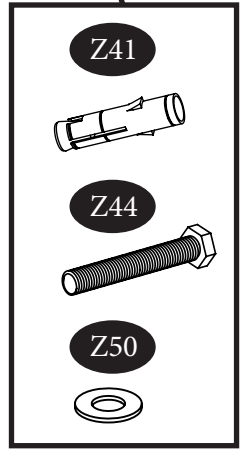
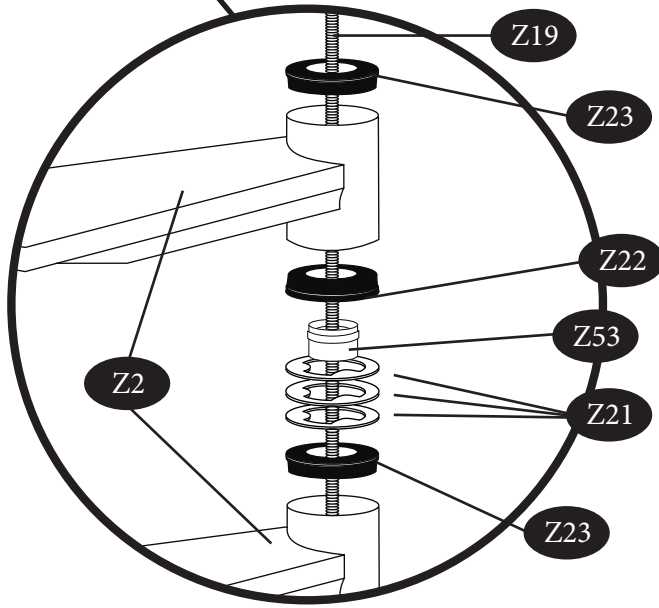
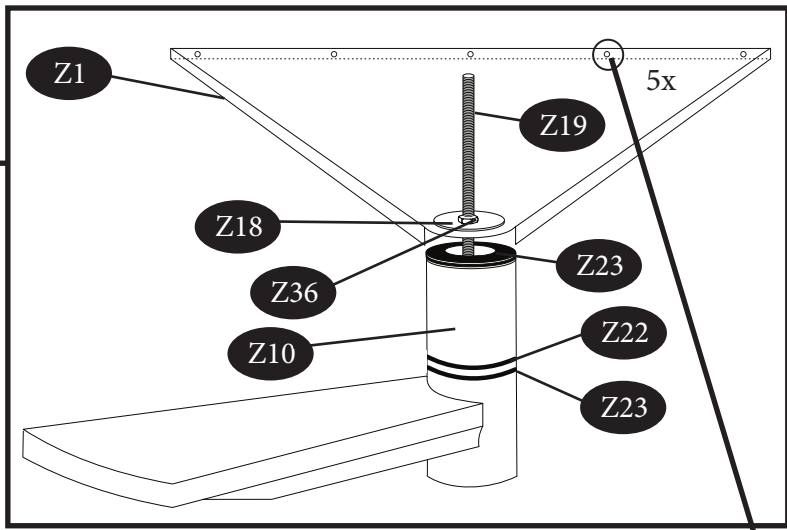
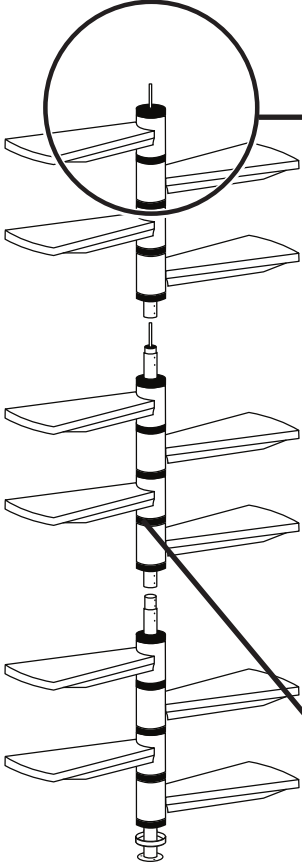
3



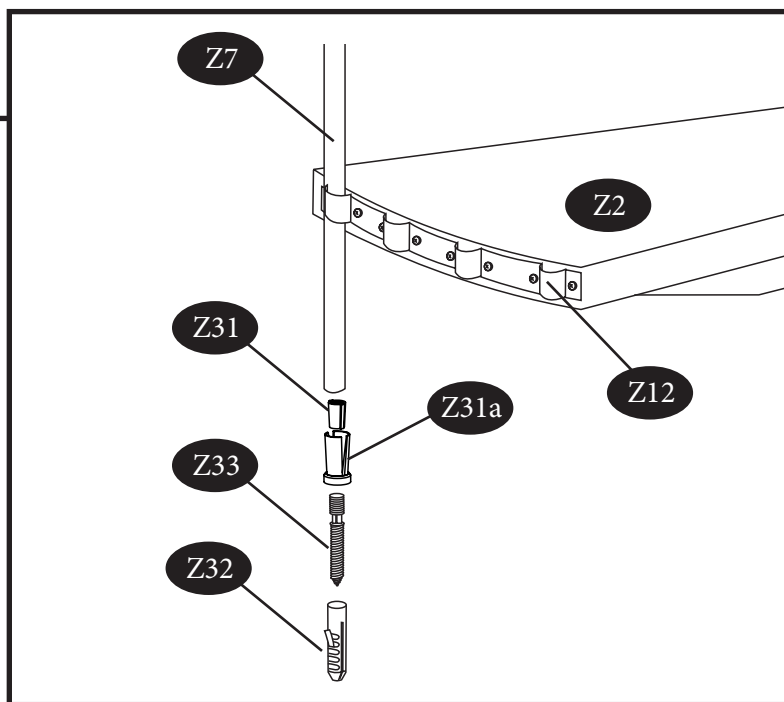
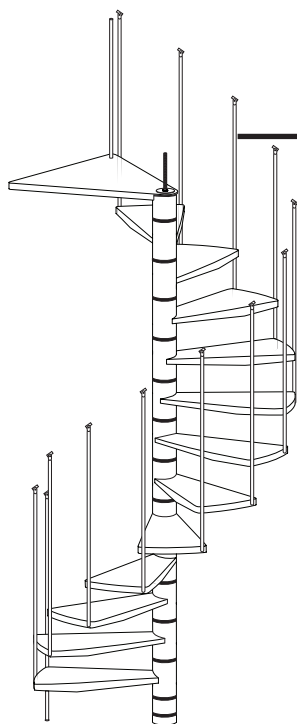
4



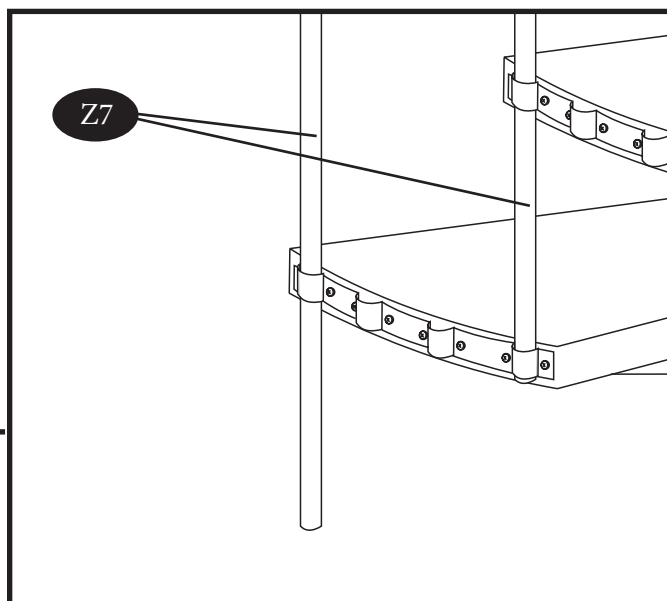
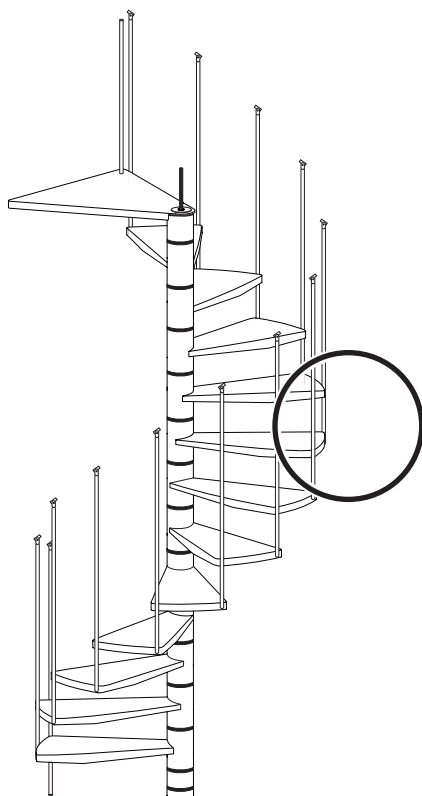
5

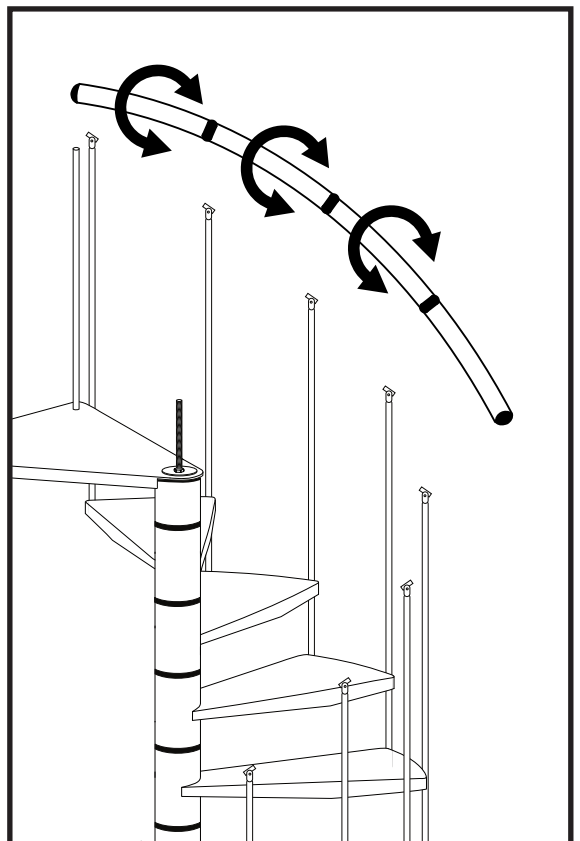
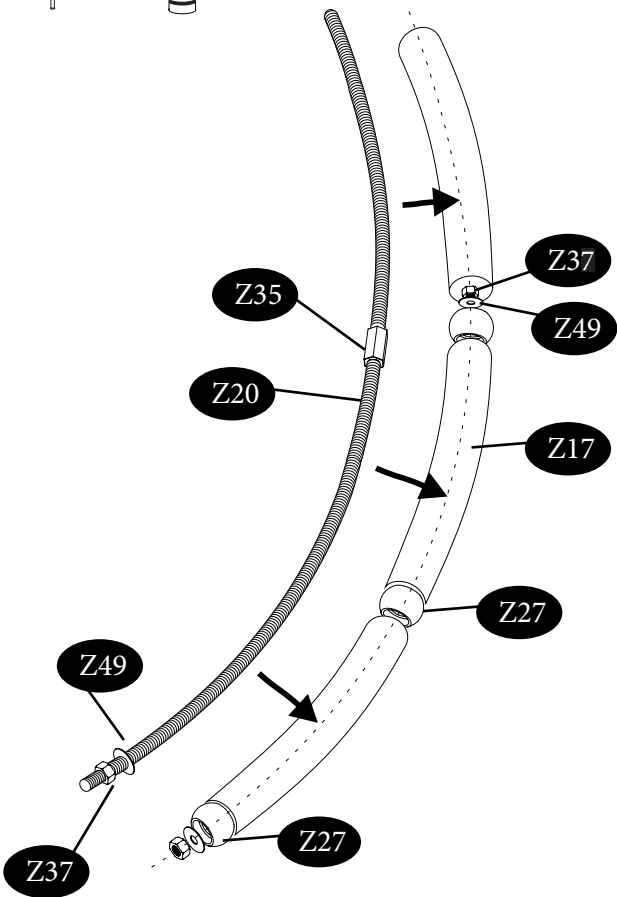
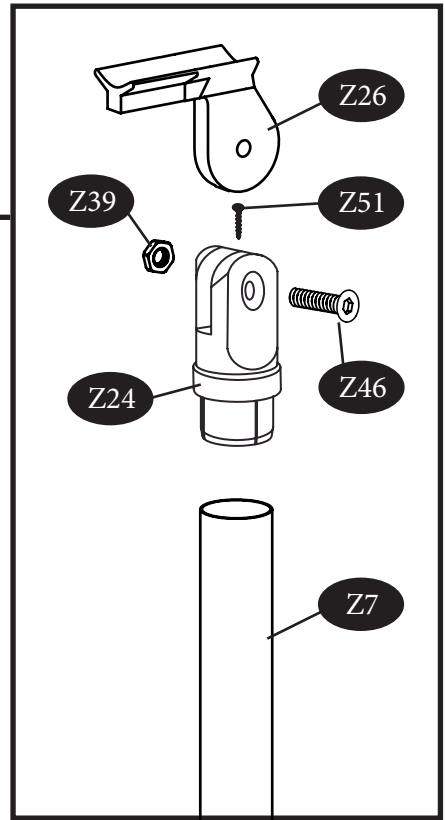
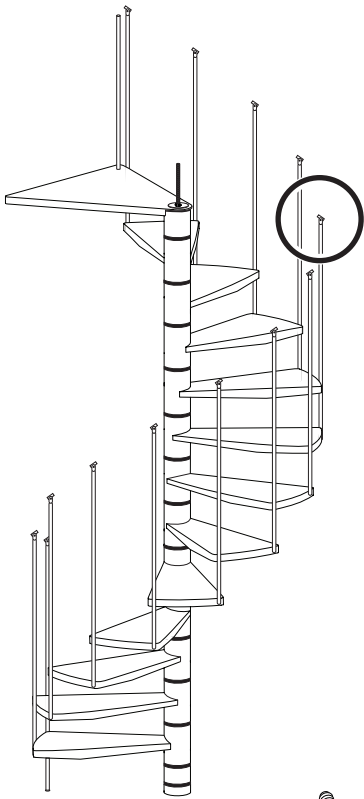


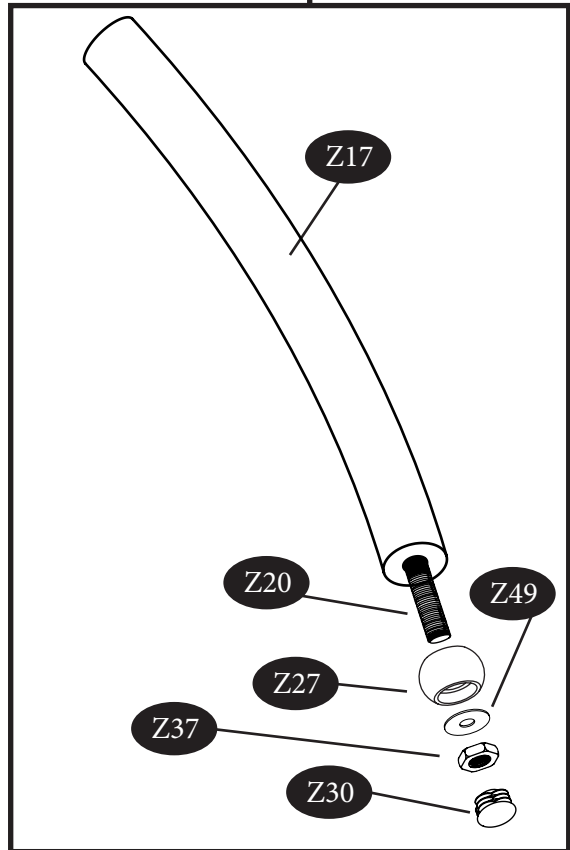
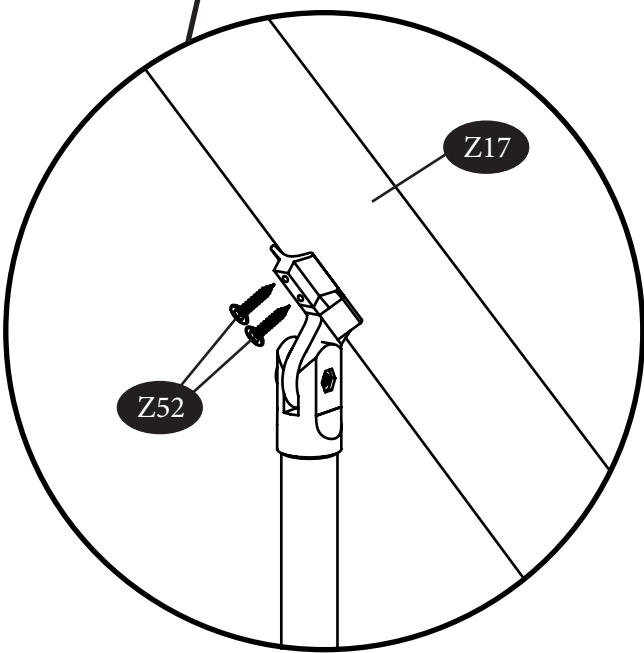
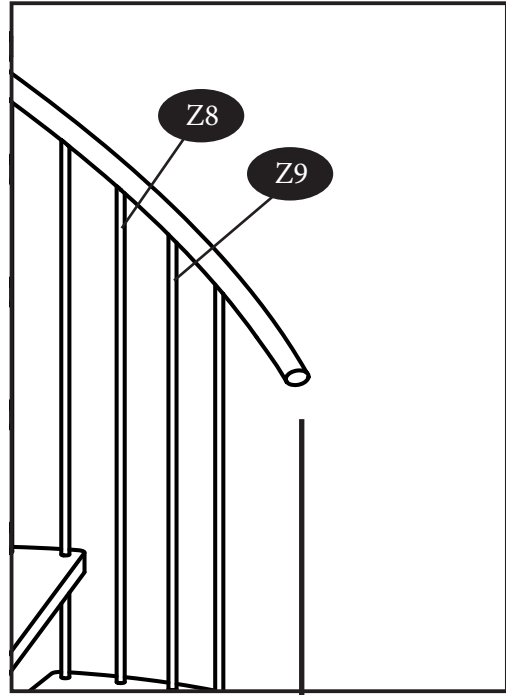
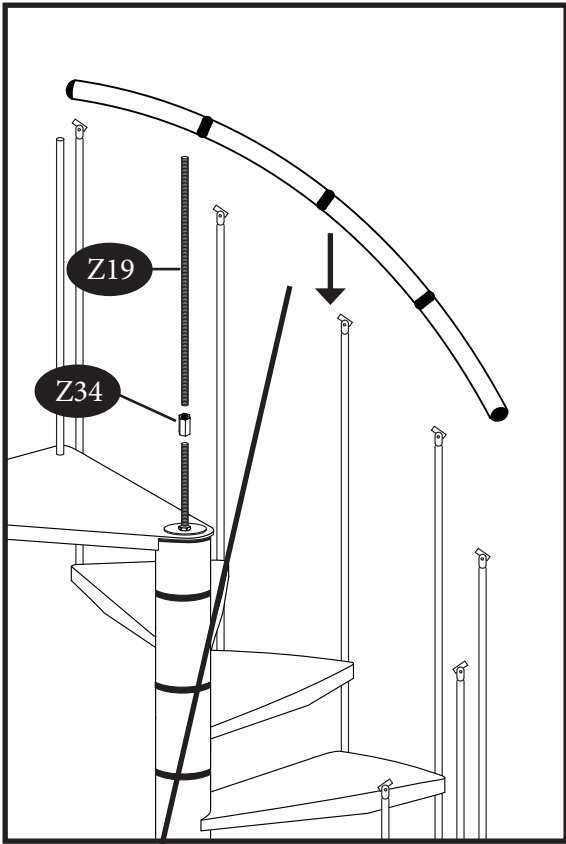
6



7







10

