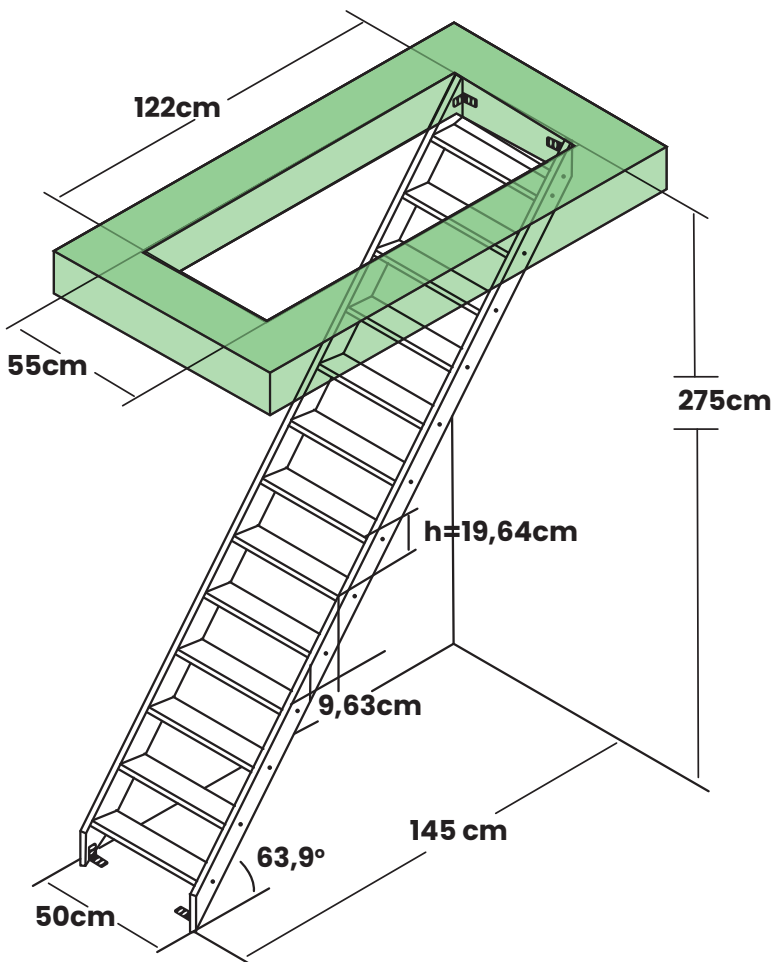


Staircases • Trappen • Escaliers • Treppen • Escaleras • Scale

Instruction Manual

Space saving Miller's stair MGG50 | Width 50cm | Height 275 cm

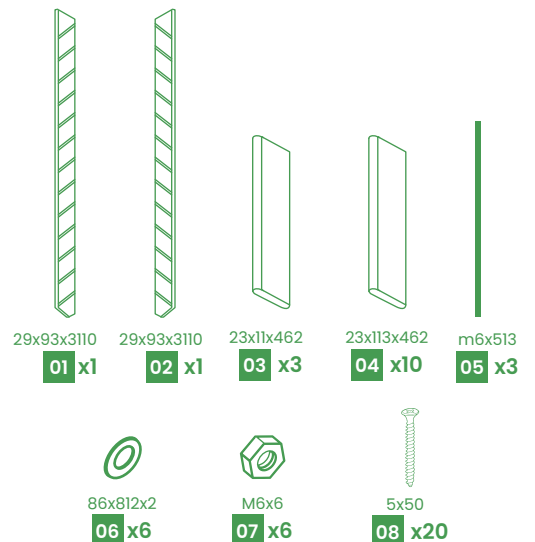


SKU: 610523
7448127246209

TECHNICAL DATA

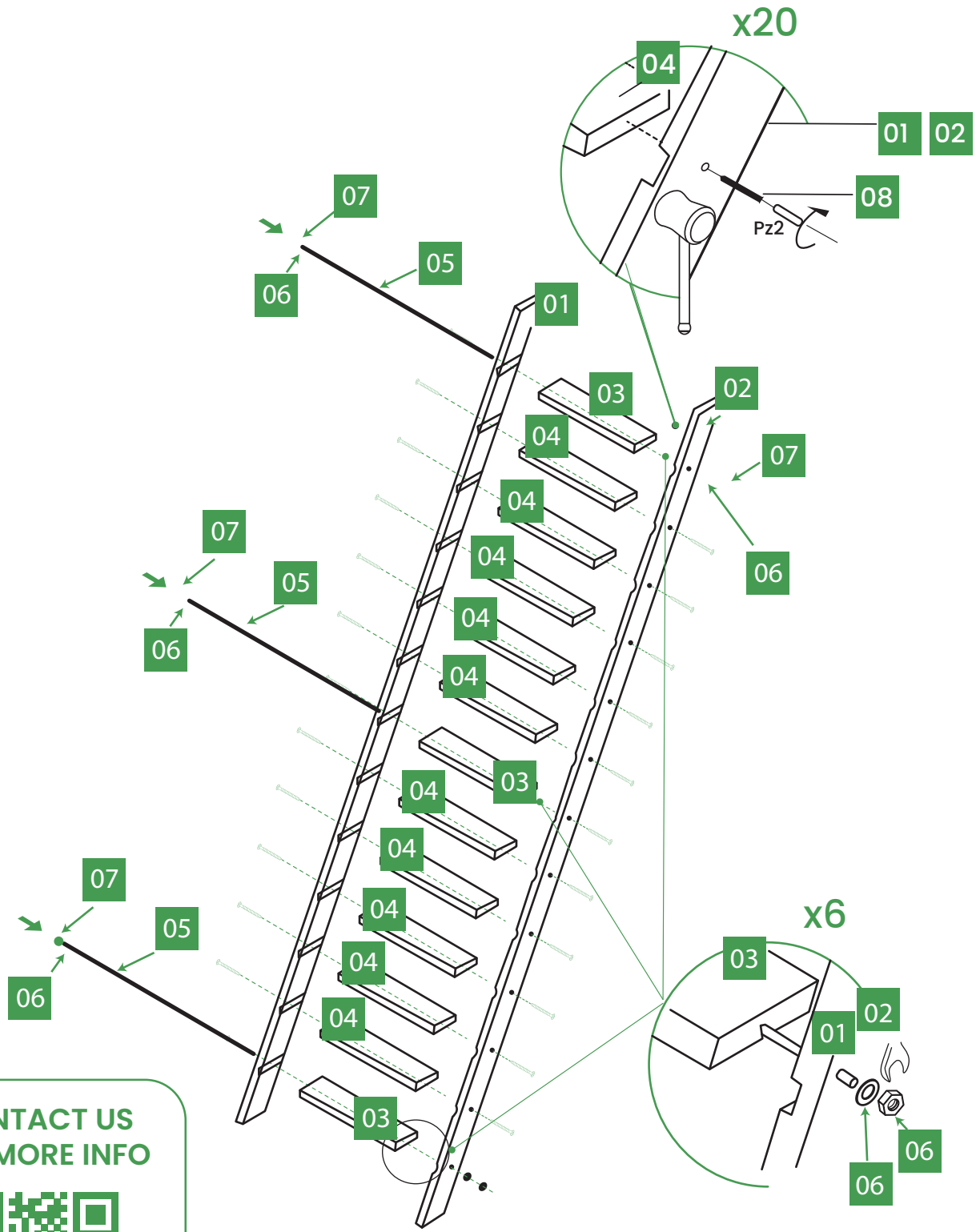
	Height:	2750 mm
	Width:	500 mm
	Wood type:	Spruce
	Treatment:	Untreated
	Number of steps:	13

INCLUDED IN PACKAGE



NEEDED FOR PROJECT





CONTACT US
FOR MORE INFO



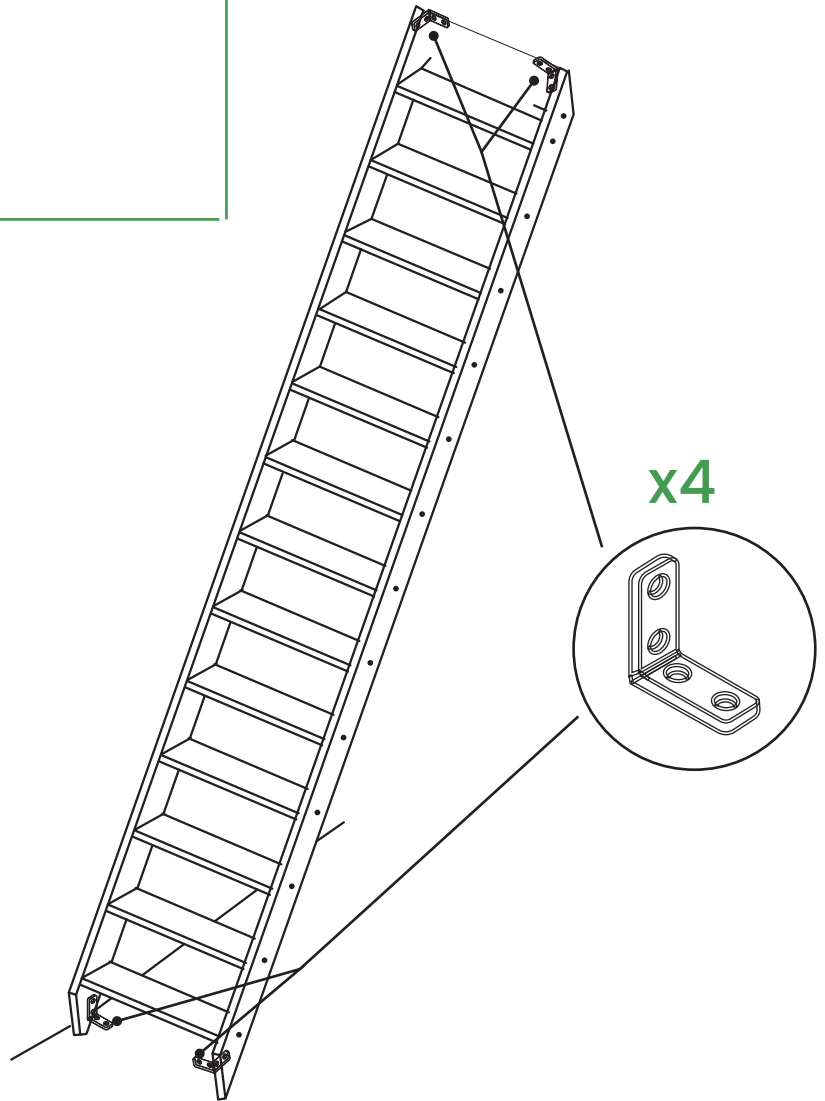
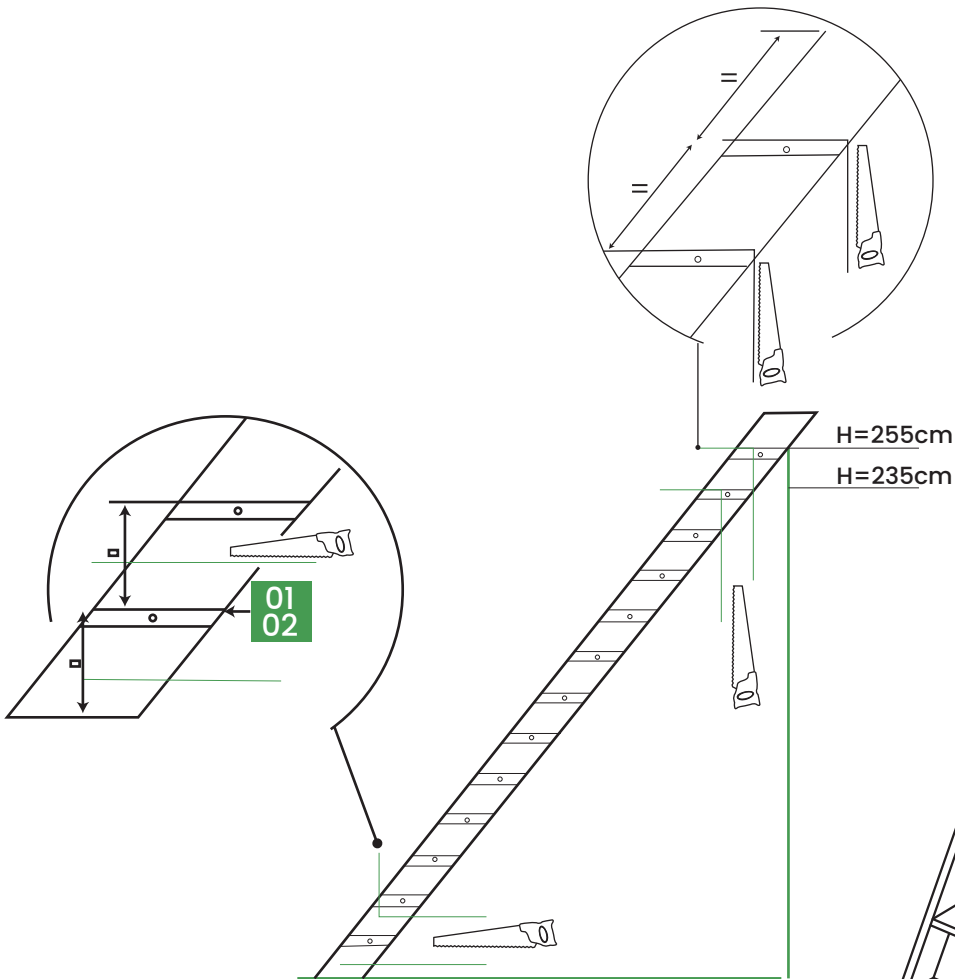
SHOP.HANDYSTAIRS.NL

+31 85 130 8770

CHAMBER OF
COMMERCE NUMBER:
82211108

VAT: NL863710918.B02

 **Handy Stairs.**



 **Handy Stairs.**