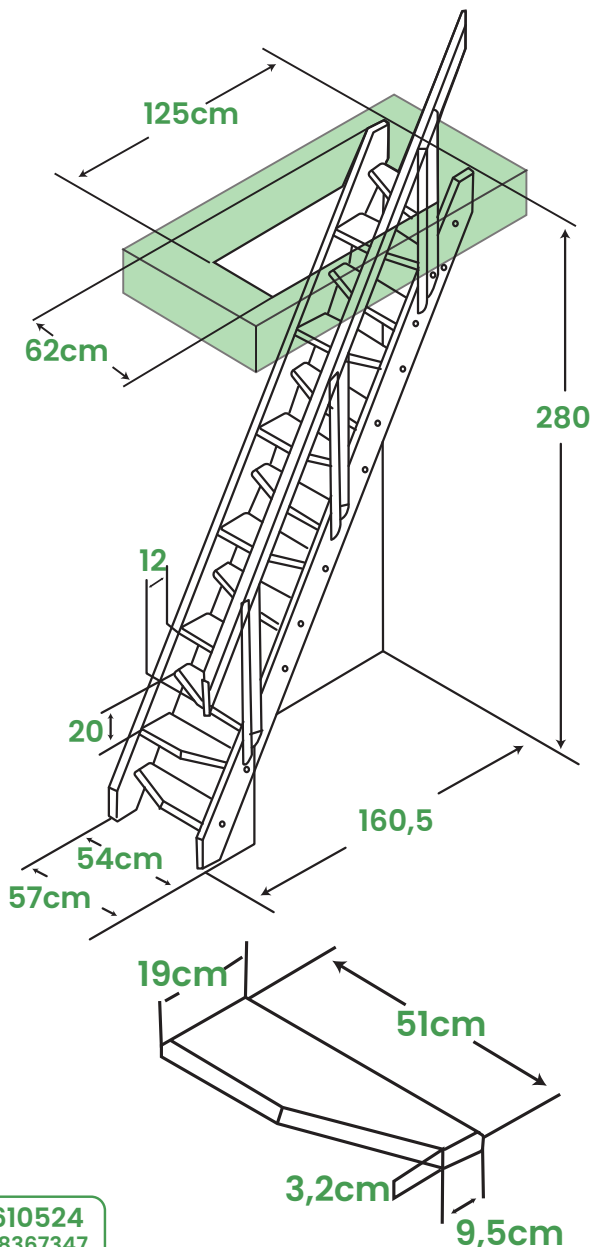


Staircases • Trappen • Escaliers • Treppen • Escaleras • Scale

Instruction Manual

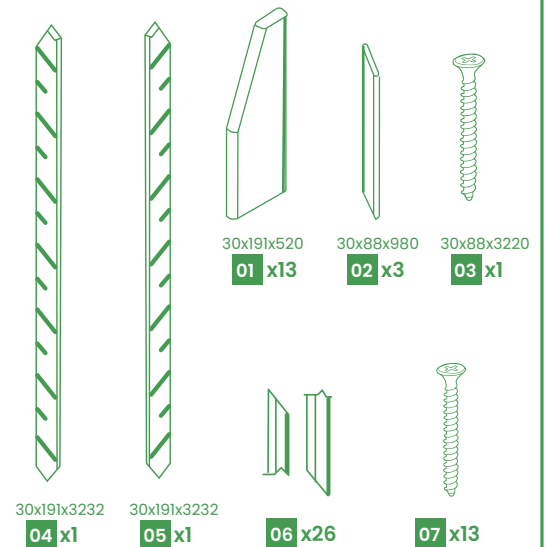
Space saving Miller's stair MGG55 | Width 55cm | Height 280 cm



TECHNICAL DATA

	Height:	2800 mm
	Width:	550 mm
	Wood type:	Spruce
	Treatment:	Untreated
	Number of steps:	13

INCLUDED IN PACKAGE

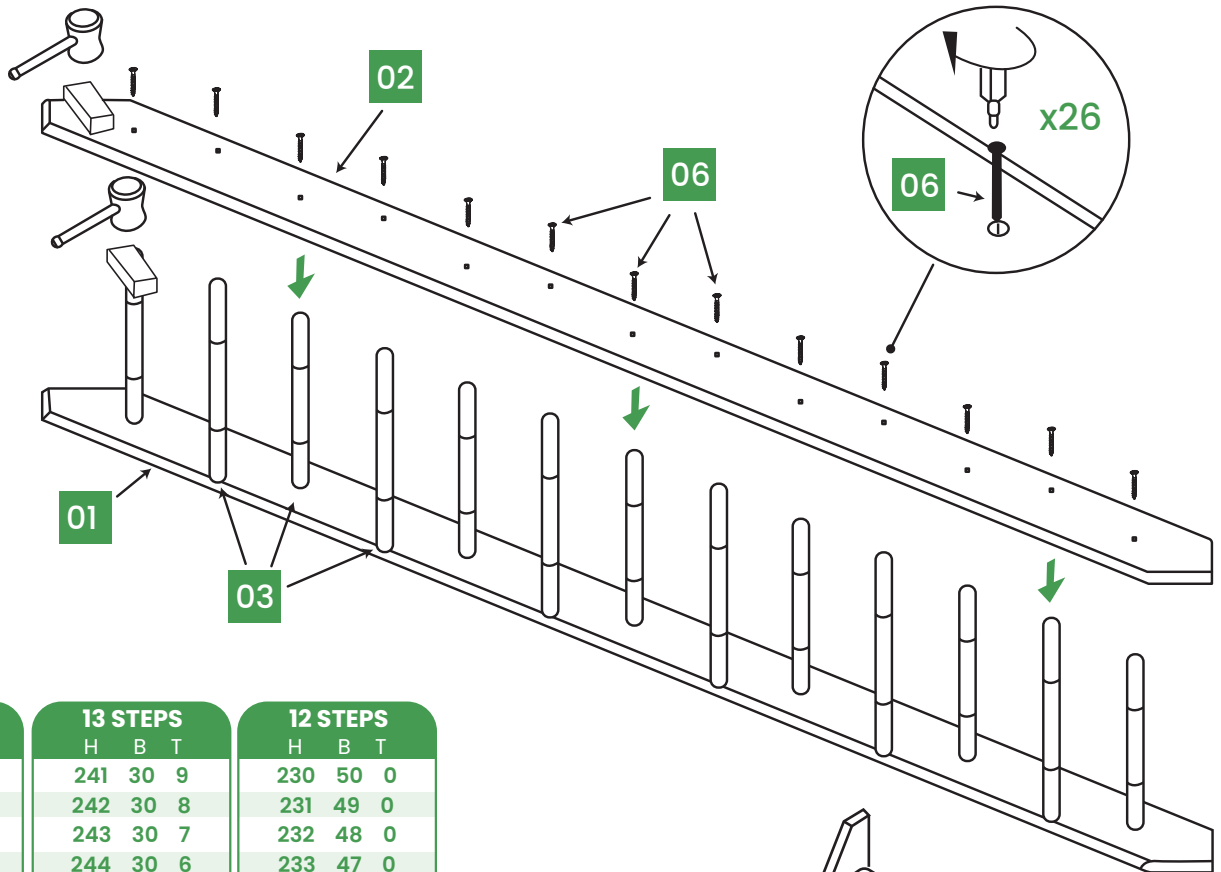


SKU: 610524
7448128367347

NEEDED FOR PROJECT

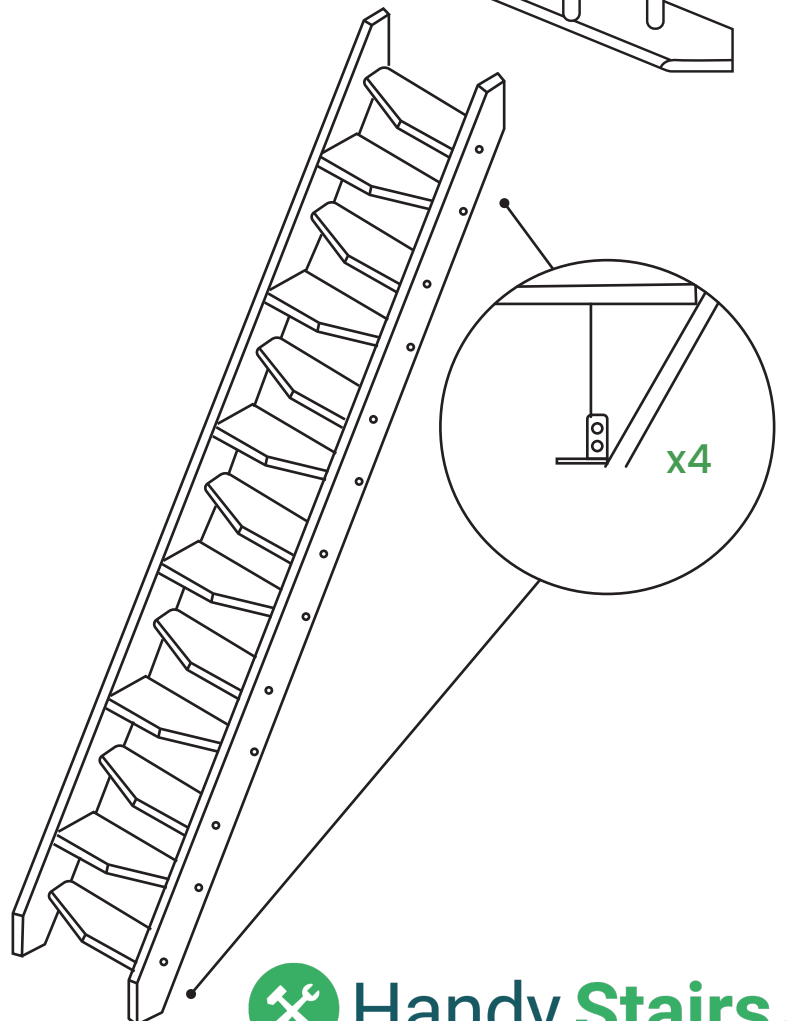


Fitting The Staircase



14 STEPS			13 STEPS			12 STEPS		
H	B	T	H	B	T	H	B	T
261	10	9	241	30	9	230	50	0
262	10	8	242	30	8	231	49	0
263	10	7	243	30	7	232	48	0
264	10	6	244	30	6	233	47	0
266	10	4	245	30	5	234	46	0
267	10	3	246	30	4	235	45	0
268	10	2	247	30	3	236	44	0
269	10	1	248	30	2	237	43	0
270	10	0	249	30	1	238	42	0
271	9	0	250	30	0	239	41	0
272	8	0	251	29	0	240	40	0
273	7	0	252	28	0			
274	6	0	253	27	0			
275	5	0	254	26	0			
276	4	0	255	25	0			
277	3	0	256	24	0			
278	2	0	257	23	0			
279	1	0	258	22	0			
280	0	0	259	21	0			
			260	20	0			

In order to customize the stairs to fit your required height, select the height from this table in column H and cut the indicated length (cm) in column B from the bottom of the staircase and the indicated height (cm) in column T from the top of the staircase.



CONTACT US
FOR MORE INFO



SHOP.HANDYSTAIRS.NL

+31 85 130 8770

CHAMBER OF
COMMERCE NUMBER:
82211108

VAT: NL863710918.B02

 **Handy Stairs.**