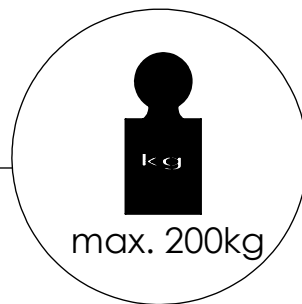
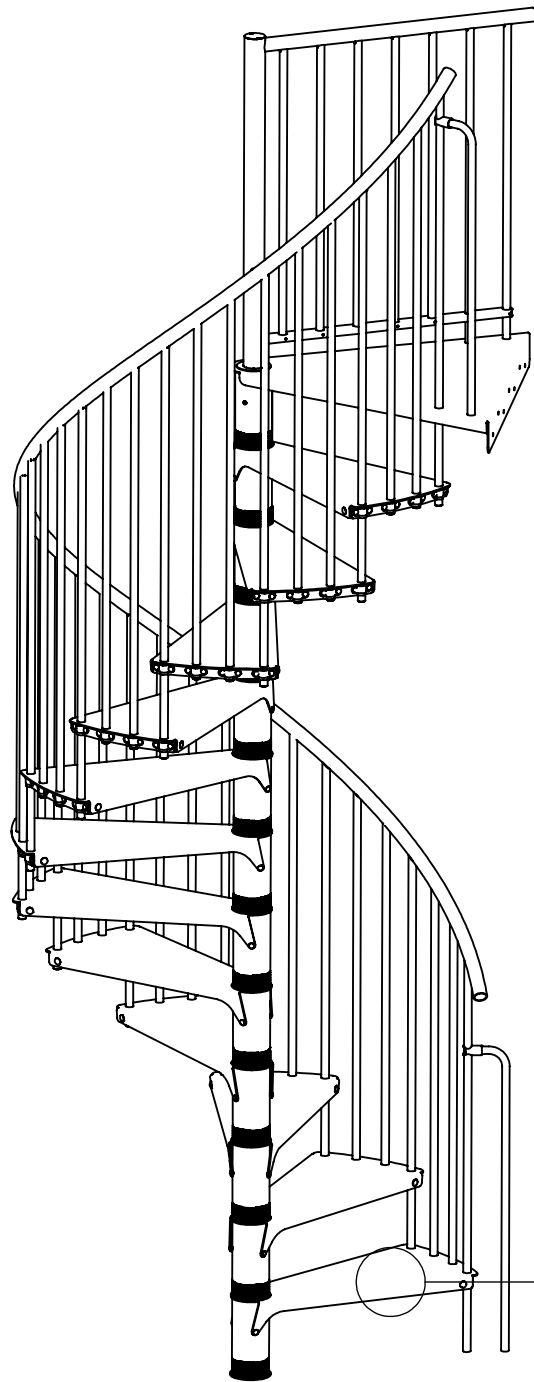
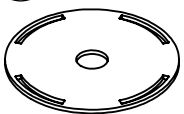

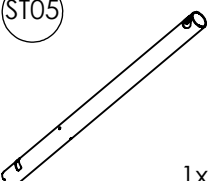
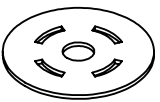
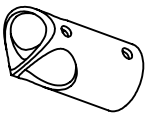
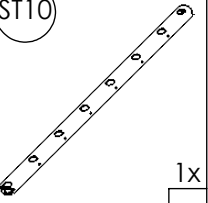
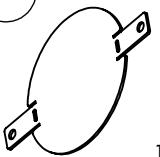
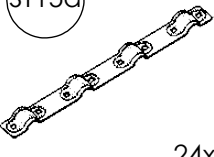

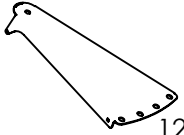
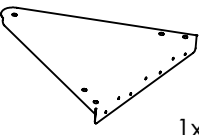

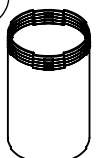
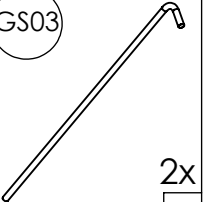
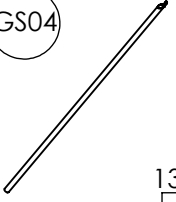
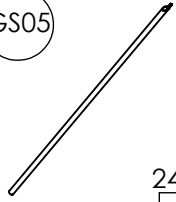
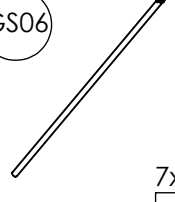
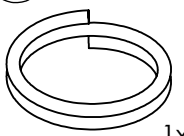
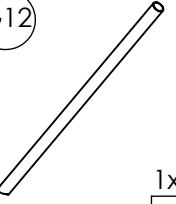

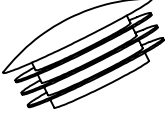

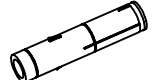

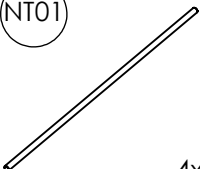
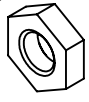
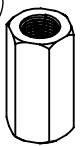
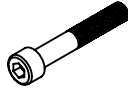




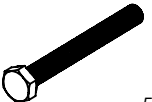

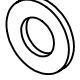



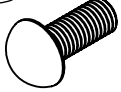
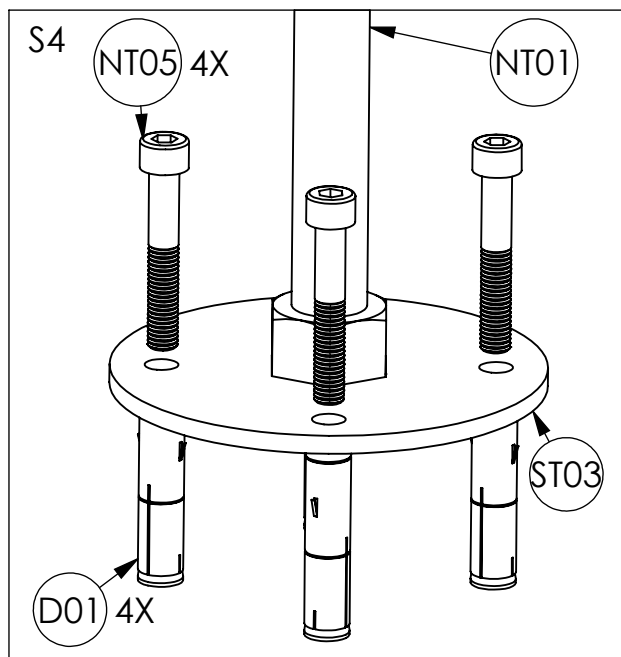
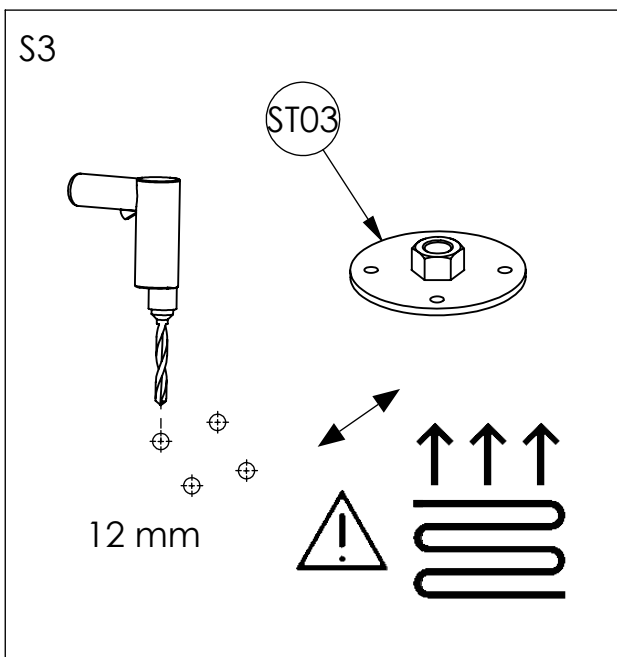
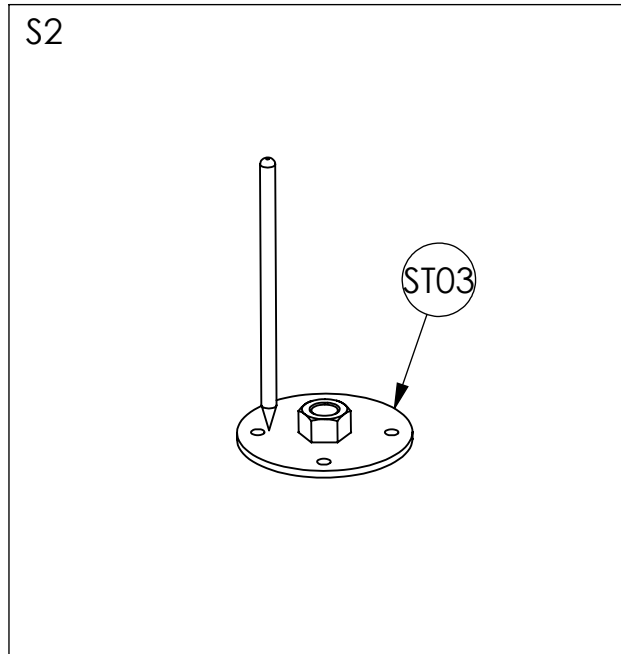
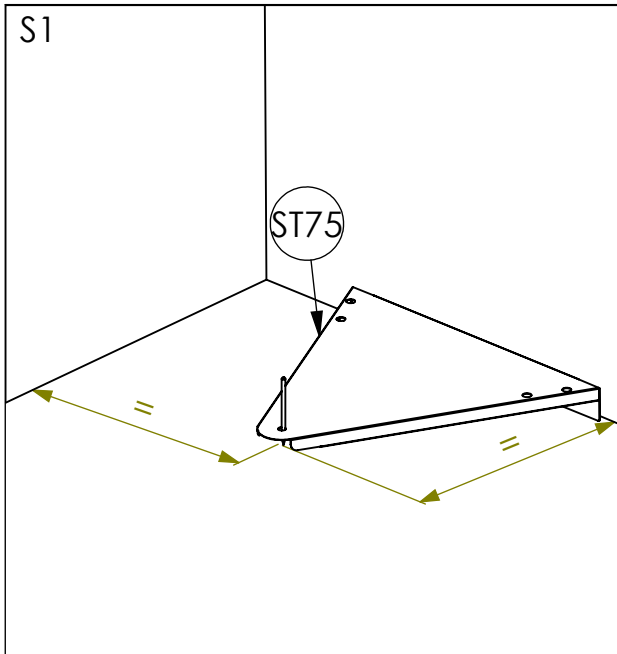
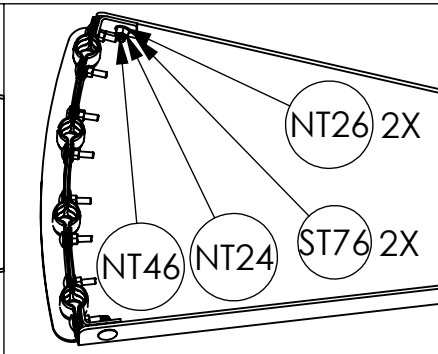
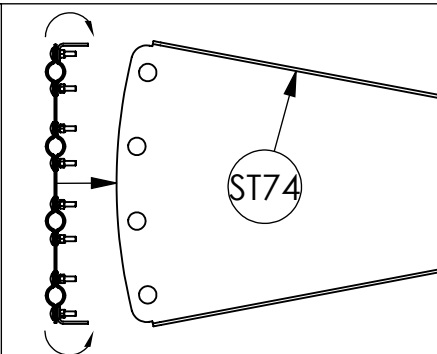
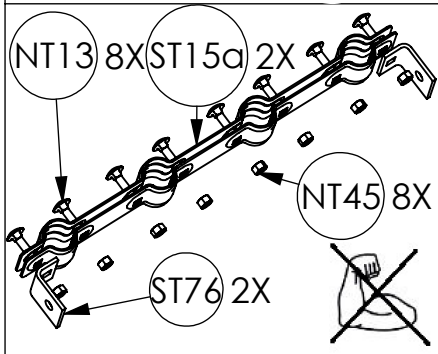


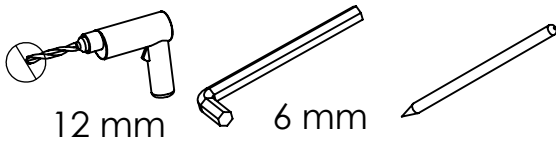
|       | 9      | 10     | 11     | 12     | 13     |
|-------|--------|--------|--------|--------|--------|
| H min | 1710mm | 1900mm | 2090mm | 2280mm | 2470mm |
| H max | 2115mm | 2350mm | 2585mm | 2820mm | 3055mm |

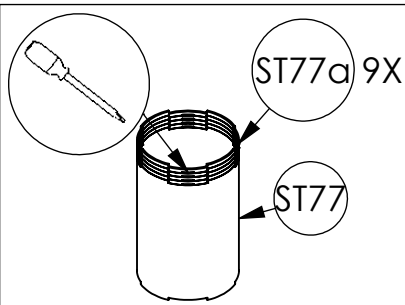
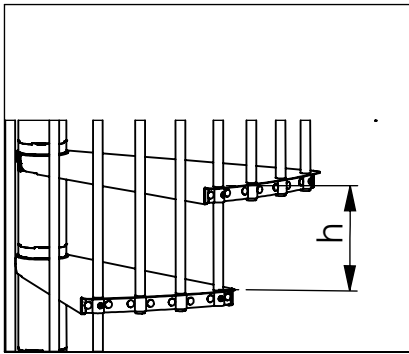


|   |  |   |   |  |   |
|---|--|---|---|--|---|
| <p>ST02</p>  <p>13x<br/>Ø 115 x 3 mm</p>   | <p>ST03</p>  <p>1x</p>                                | <p>ST05</p>  <p>1x<br/>Ø 60 x 1000x4 mm</p>          | <p>ST06</p>  <p>1x<br/>Ø 100 x 3 mm</p>    | <p>ST07</p>  <p>2x<br/>Ø 28x2x50 mm</p>     | <p>ST10</p>  <p>1x</p>                   |
| <p>ST12</p>  <p>1x<br/>Ø 60 mm</p>         | <p>ST15a</p>  <p>24x</p>                              | <p>ST15b</p>  <p>4x</p>                              | <p>ST74</p>  <p>12x</p>                    | <p>ST75</p>  <p>1x</p>                      | <p>ST76</p>  <p>24x</p>                  |
| <p>ST77</p>  <p>13x<br/>Ø 108x220 mm</p>   | <p>GS03</p>  <p>2x<br/>Ø 22x1x913+170mm</p>           | <p>GS04</p>  <p>13x<br/>Ø 22x2x1275 mm</p>           | <p>GS05</p>  <p>24x<br/>Ø 22x1x1175 mm</p> | <p>GS06</p>  <p>7x<br/>Ø 22x2x1030 mm</p>   | <p>G01</p>  <p>1x<br/>Ø 40x3x6000mm</p>  |
| <p>G12</p>  <p>1x<br/>Ø 40x3x1000 mm</p>  | <p>KS01</p>  <p>39x<br/>Ø 22 mm</p>                 | <p>KS02</p>  <p>3x<br/>Ø 40 mm</p>                 | <p>KS06</p>  <p>2x</p>                   | <p>D01</p>  <p>9x<br/>Ø 12 mm</p>         | <p>D03</p>  <p>2x<br/>Ø 6 mm</p>       |
| <p>NT01</p>  <p>4x<br/>M20 x 1000 mm</p> | <p>NT02</p>  <p>13x<br/>M20 DIN-EN 24035</p>        | <p>NT03</p>  <p>4x<br/>M20 DIN 6334</p>            | <p>NT05</p>  <p>4x<br/>M8x50 mm</p>      | <p>NT07</p>  <p>20x<br/>Ø 4,2 x 19 mm</p> | <p>NT08</p>  <p>2x<br/>Ø 4 x 50 mm</p> |
| <p>NT11</p>  <p>94x<br/>Ø 4x25mm</p>     | <p>NT13</p>  <p>104x<br/>M6 x 16 mm<br/>DIN 603</p> | <p>NT20</p>  <p>5x<br/>M8x70 mm</p>                | <p>NT24</p>  <p>48x<br/>M8</p>           | <p>NT26</p>  <p>54x<br/>M8 DIN 125</p>    | <p>NT39</p>  <p>2x<br/>M5 DIN 9021</p> |
| <p>NT40</p>  <p>3x<br/>M8x20mm</p>       | <p>NT45</p>  <p>104x<br/>M6 DIN 934</p>             | <p>NT46</p>  <p>48x<br/>M8 x 30 mm<br/>DIN 603</p> |   |  |   |

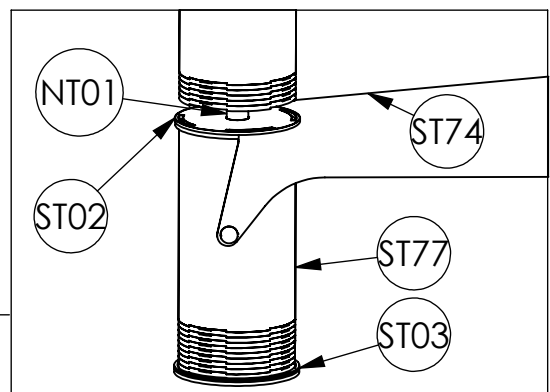
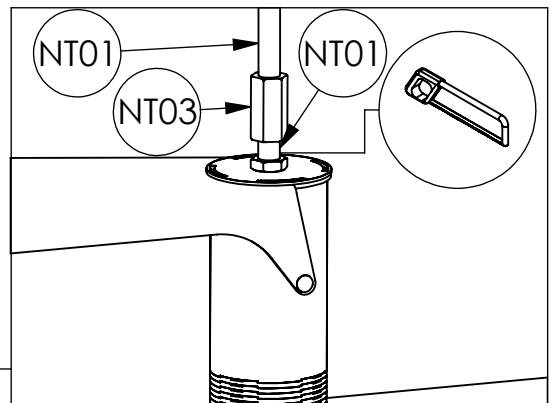
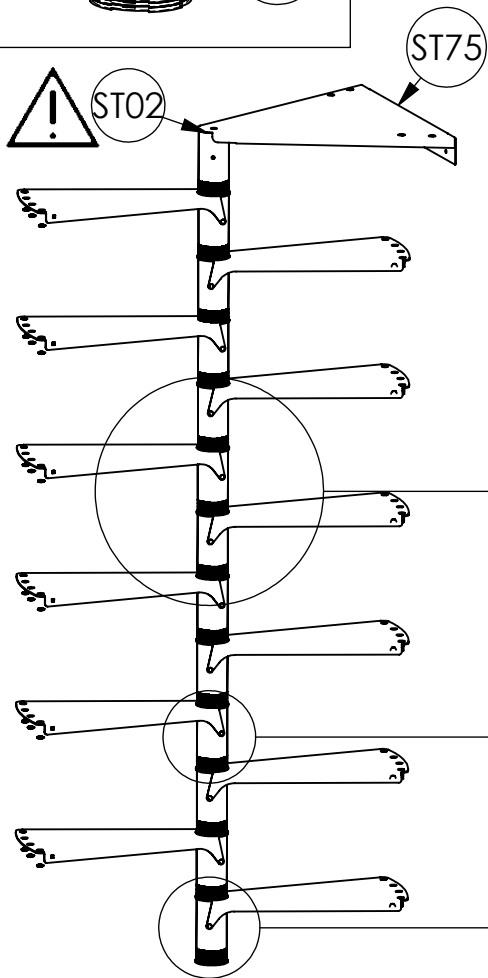
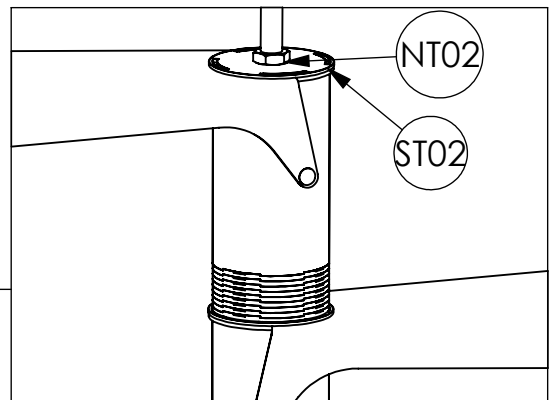
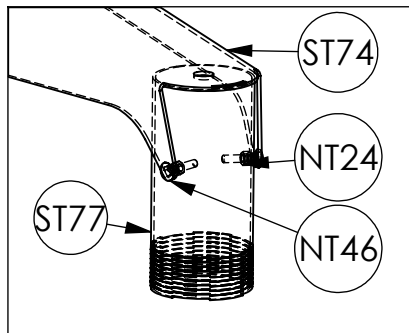


3

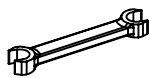




| h      | ST77a |
|--------|-------|
| 190 mm | 0x    |
| 195 mm | 1x    |
| 200 mm | 2x    |
| 205 mm | 3x    |
| 210 mm | 4x    |
| 215 mm | 5x    |
| 220 mm | 6x    |
| 225 mm | 7x    |
| 230 mm | 8x    |
| 235 mm | 9x    |



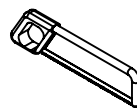
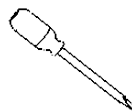
4

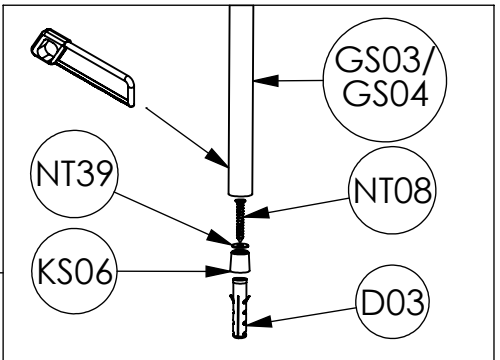
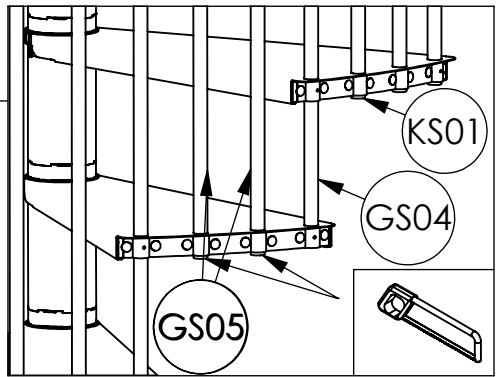
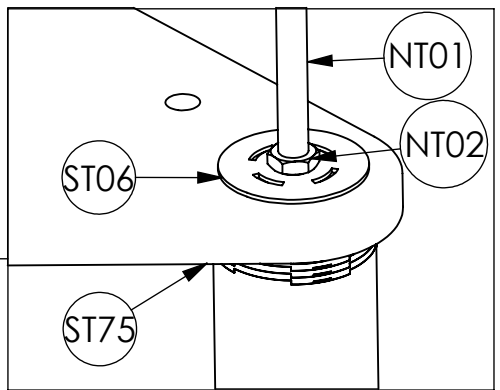
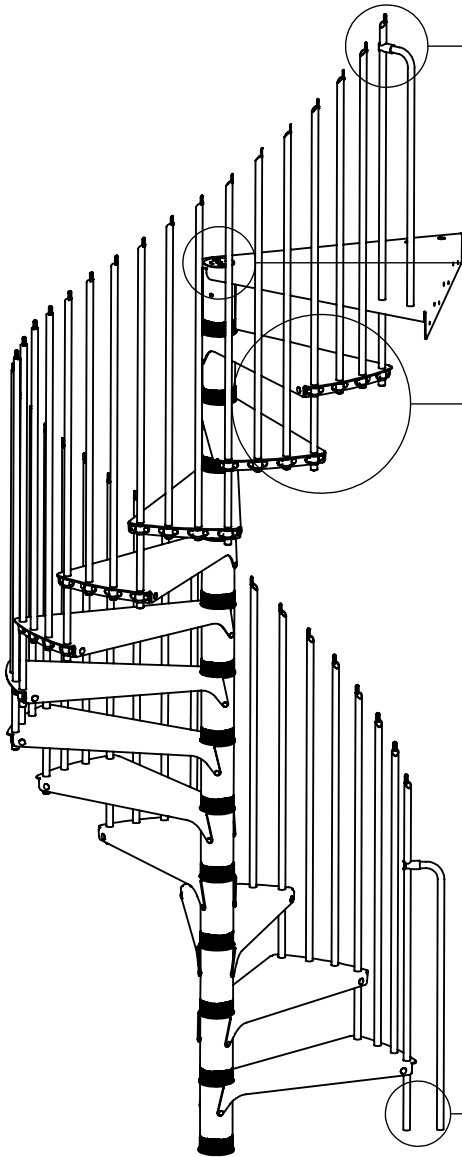
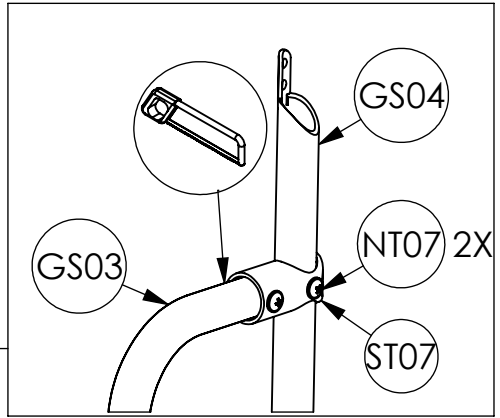
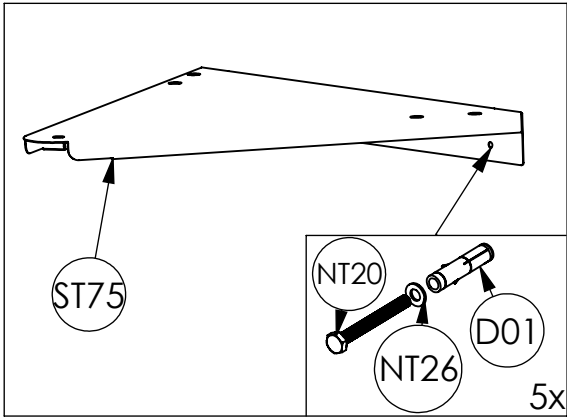


30 mm

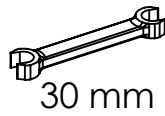
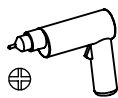
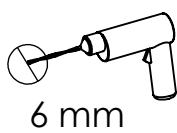
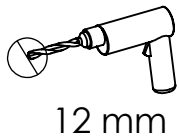


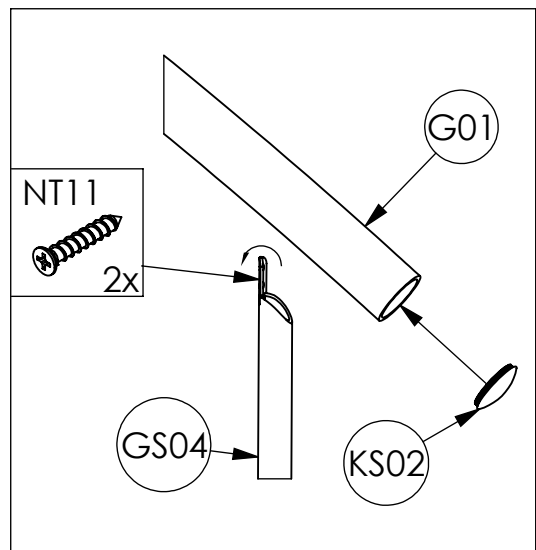
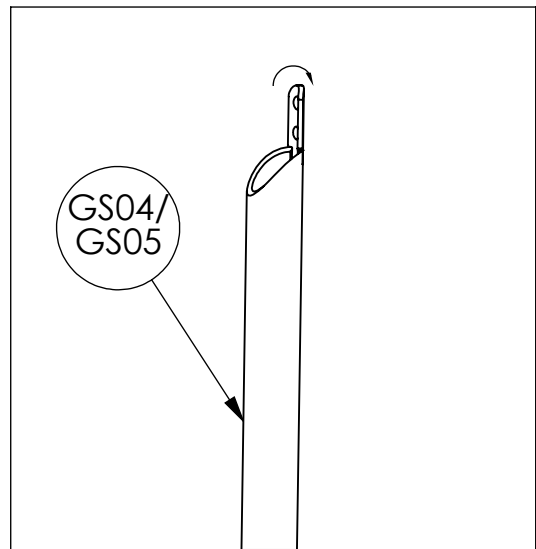
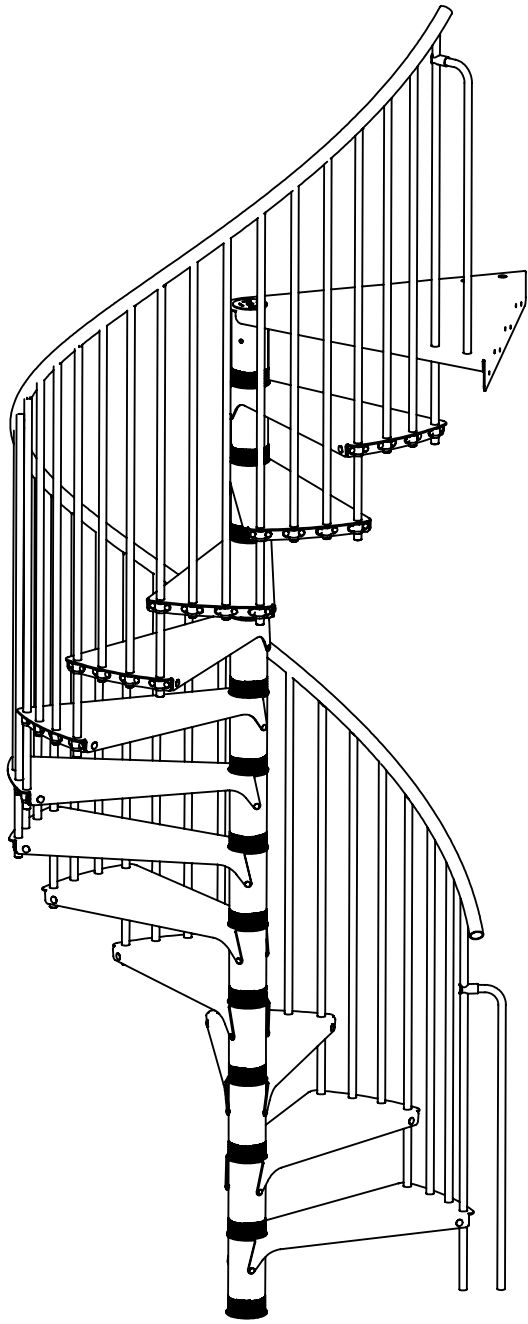
13 mm



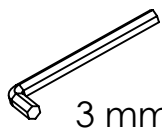


5

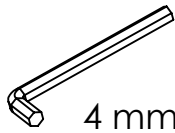




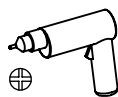
6

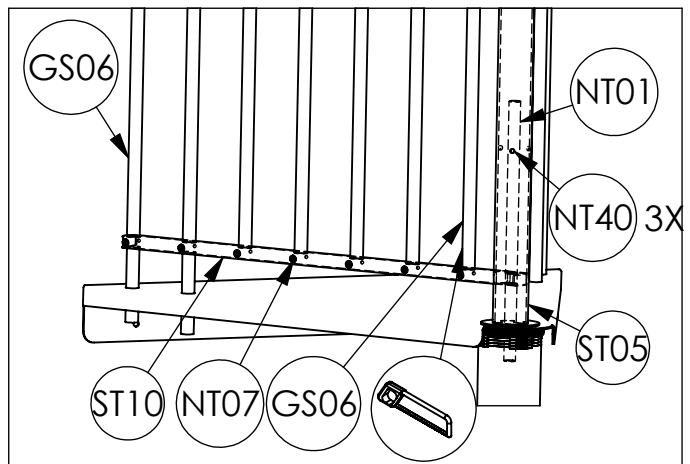
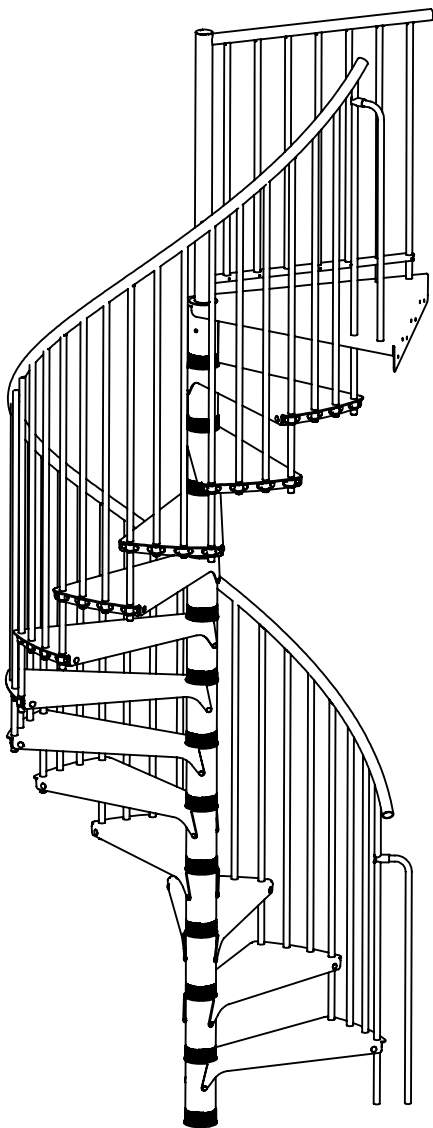
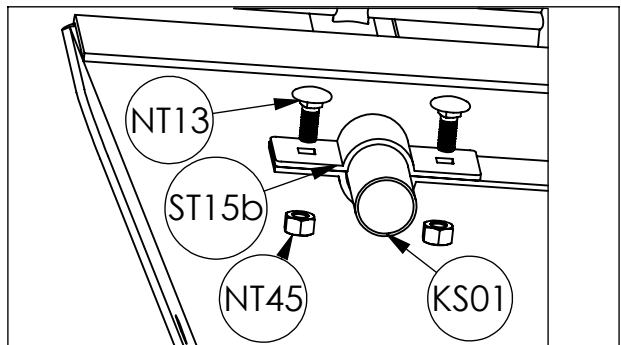
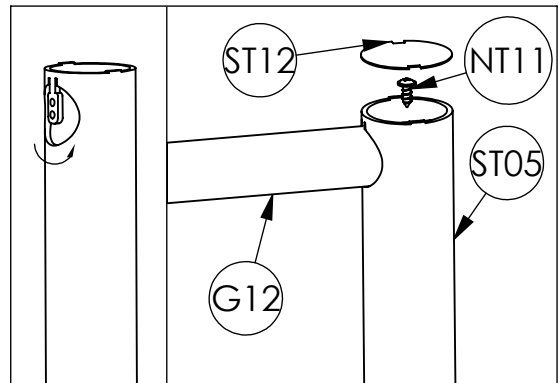
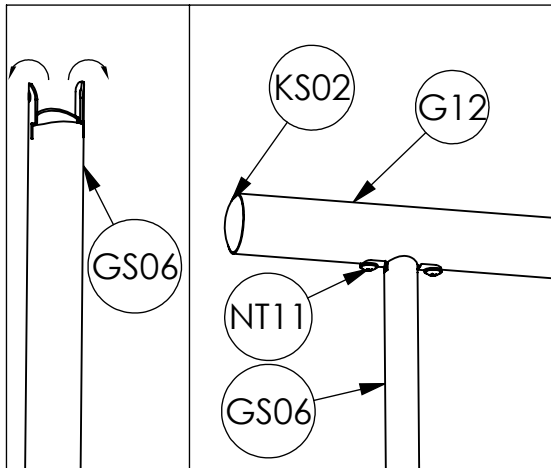


3 mm



4 mm





7

