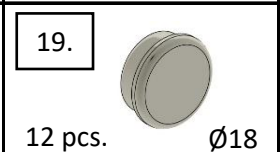
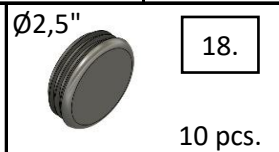
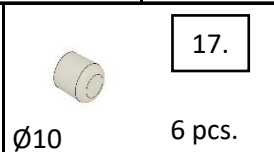
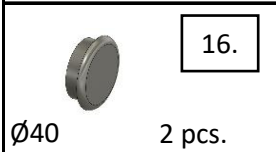
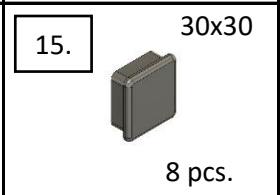
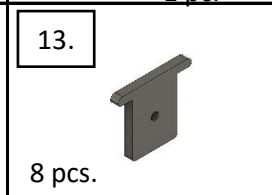
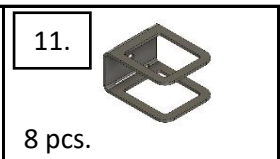
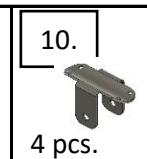
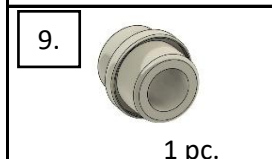
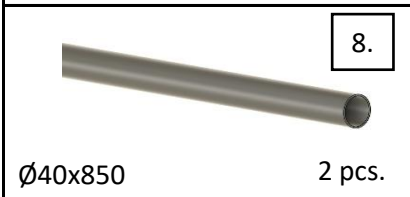
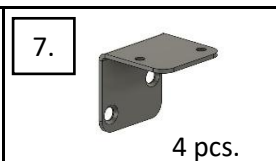
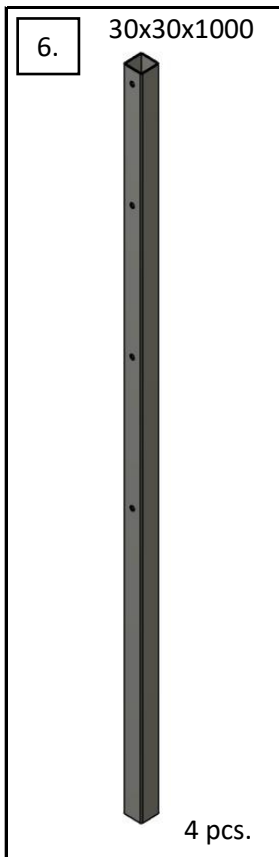
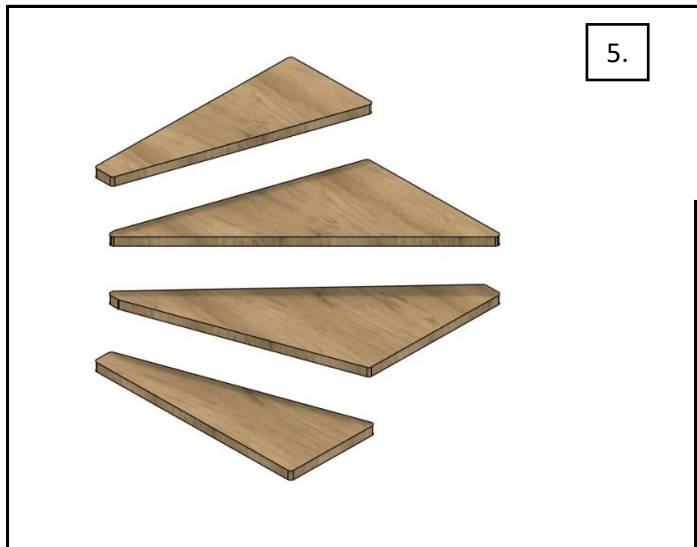
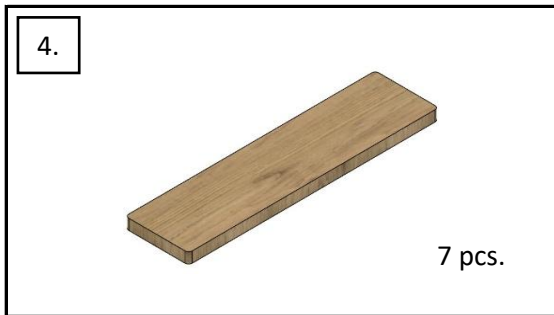
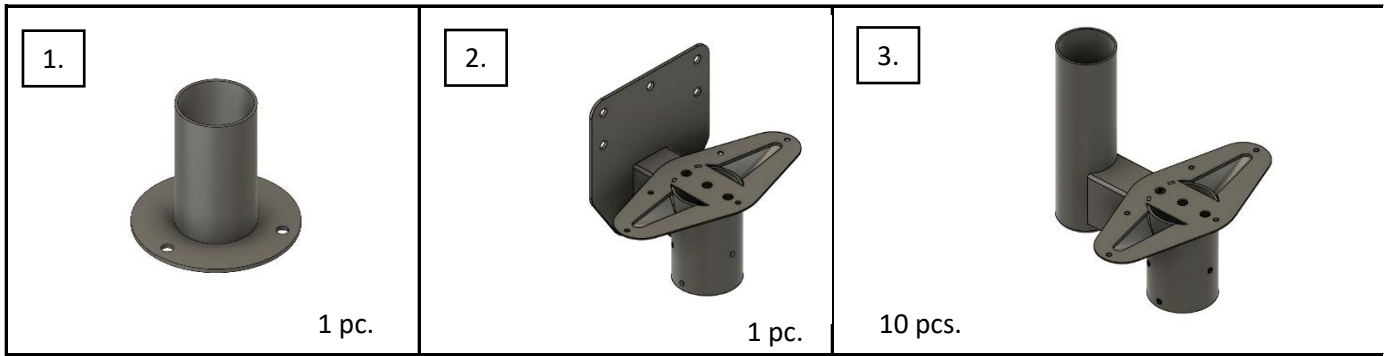




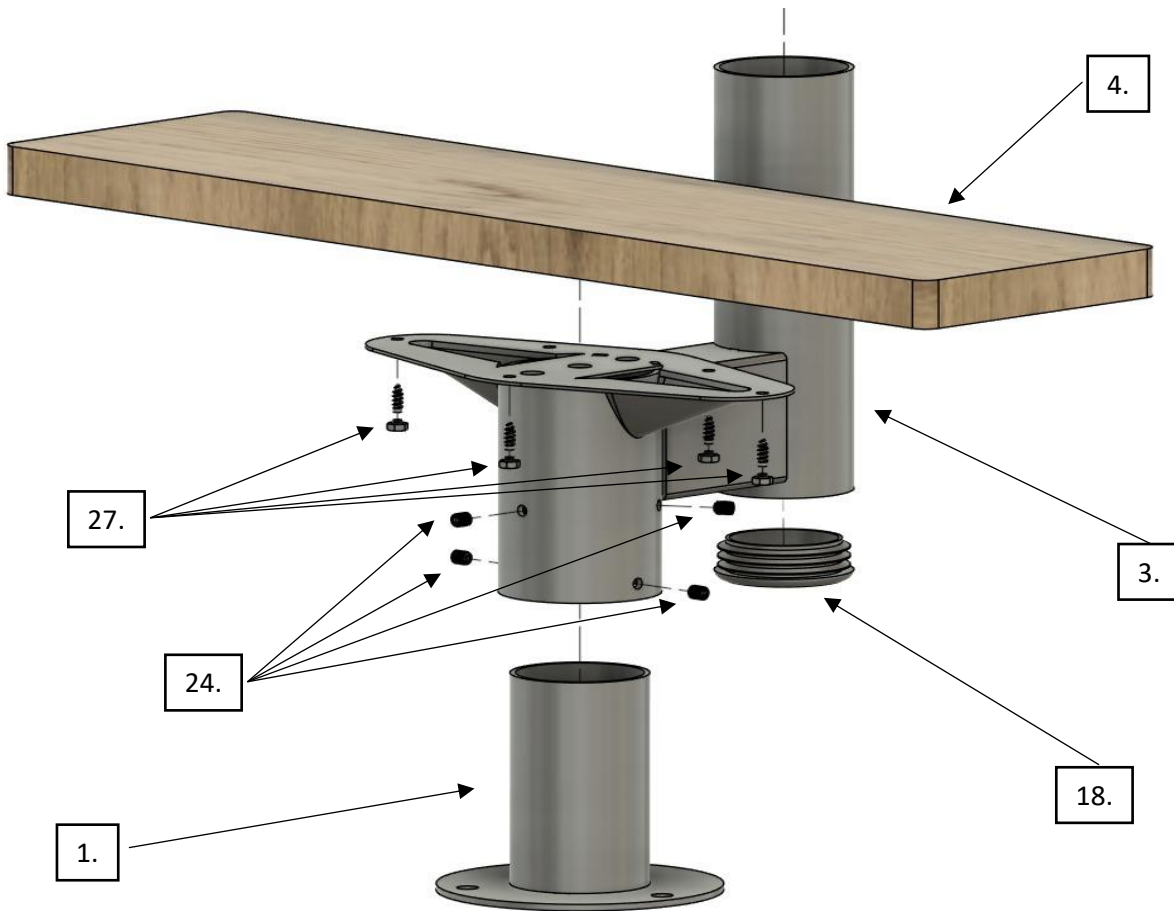
Space-saving staircase AXION

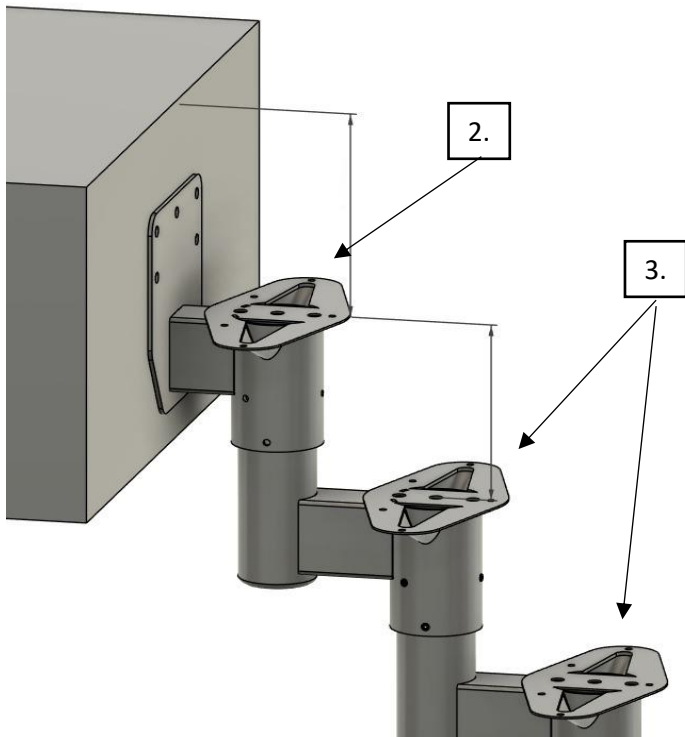




Please check all components carefully before assembly.
 Claims for damages reported after installation cannot be accepted.

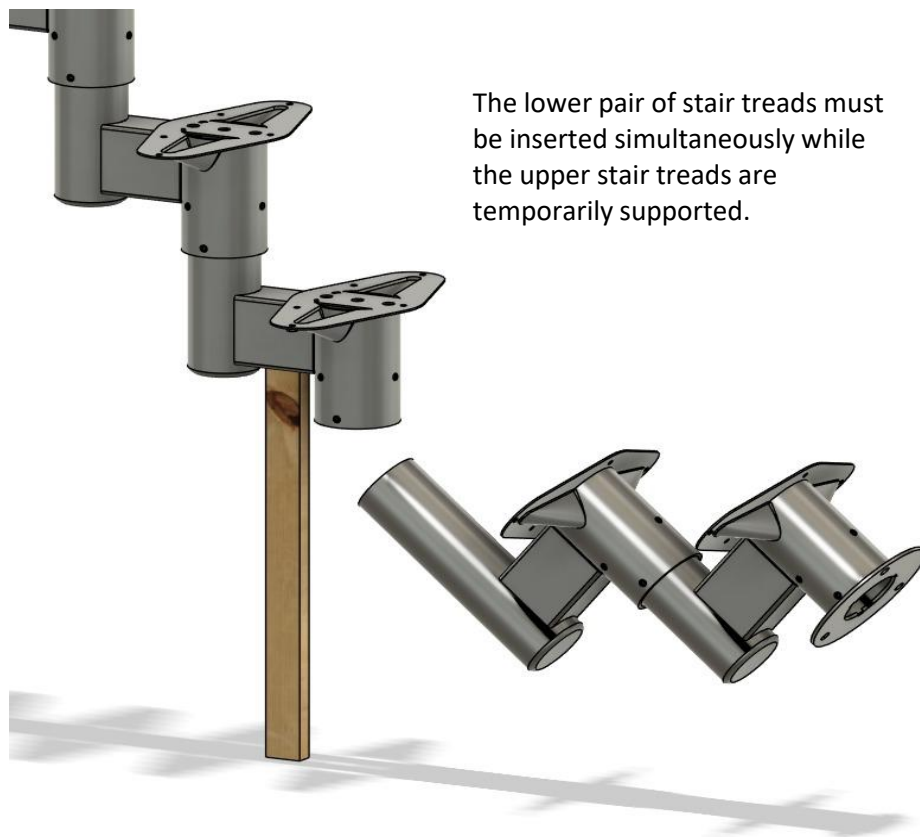
<p>20. M6x22 12 pcs.</p> 	<p>21. M6x40 4 pcs.</p> 	<p>22. M6 16 pcs.</p> 	<p>23. $\varnothing 6$ 16 pcs.</p> 
<p>24. M8x10 55 pcs.</p> 	<p>25. M6x10 8 pcs.</p> 	<p>26. M6x20 3 pcs.</p> 	<p>27. 63 pcs. 6.3x25 SW10</p> 
<p>28. 4 pcs.</p> 	<p>29. 3,9x16 16 pcs.</p> 	<p>30. 4 pcs.</p> 	<p>31. 4.2x32 8 pcs.</p> 



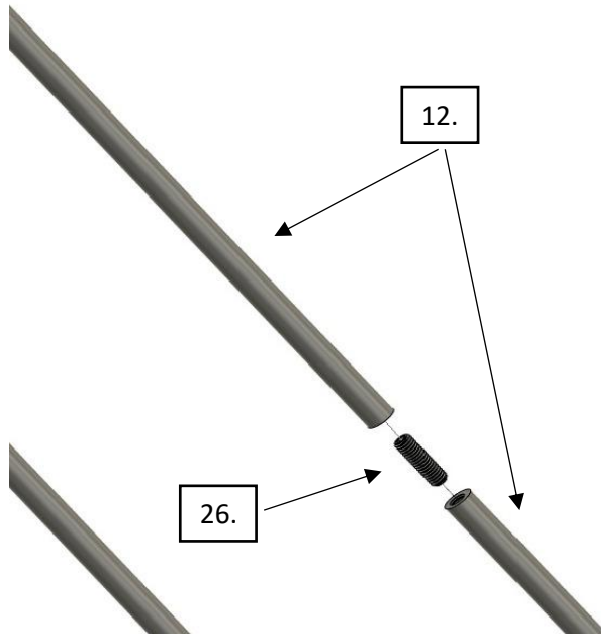
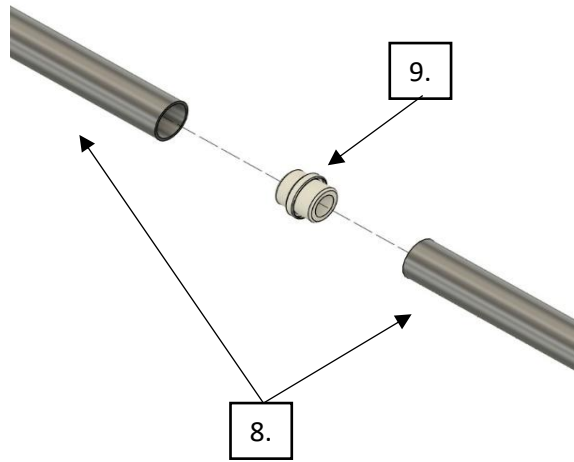


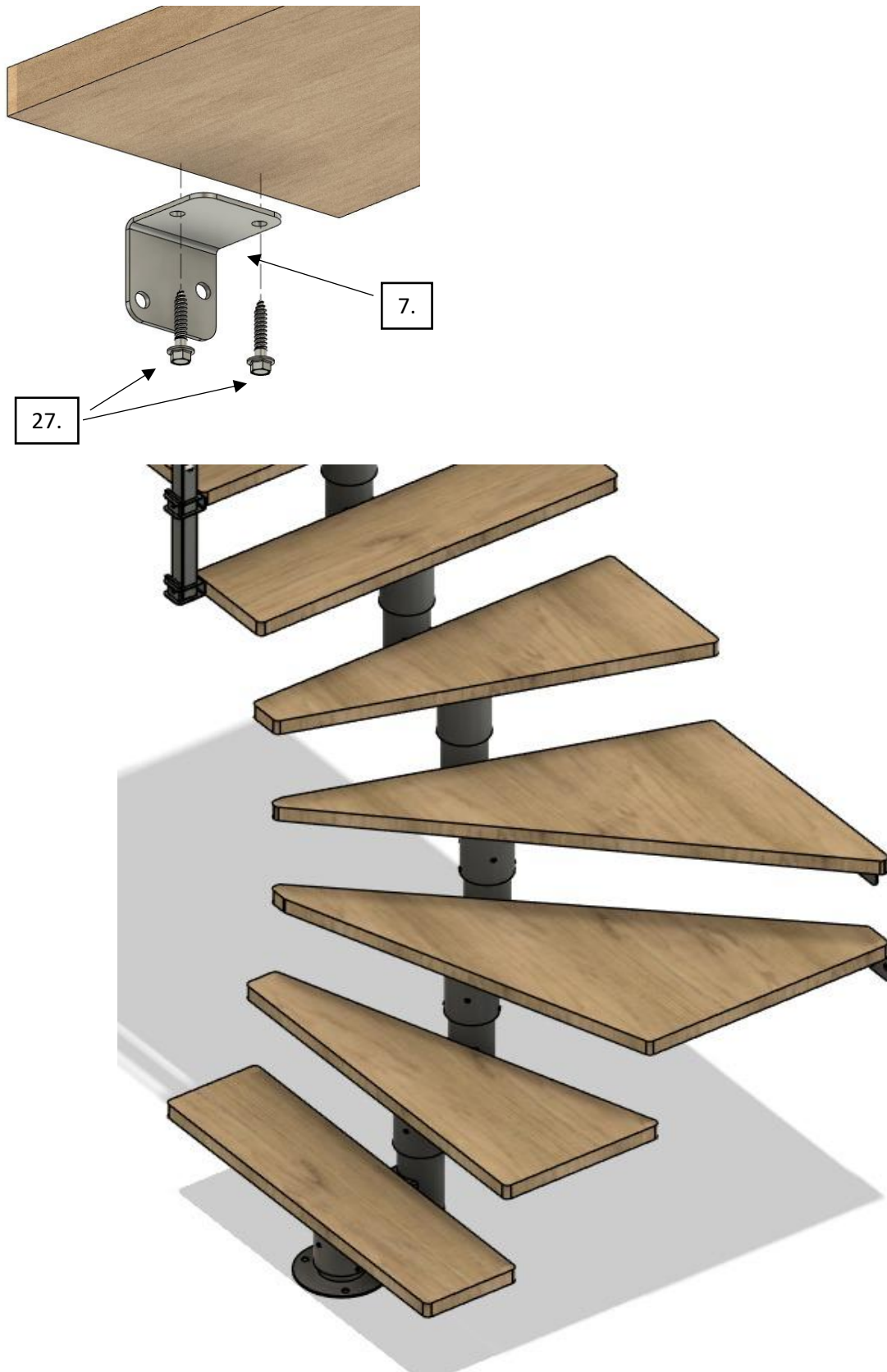
Install the stair treads so that the height difference between all steps is evenly distributed, starting from the finished floor level.

The total floor-to-floor height must be divided equally by 12 riser heights.



The lower pair of stair treads must be inserted simultaneously while the upper stair treads are temporarily supported.





Maximum 2 straight treads may be installed at the bottom.

After assembly and again after 2 weeks of use, all screws and bolts must be retightened.